



HAL
open science

MIMO Hardware Simulator Design For UMTS And WLAN Applications

Sylvie Picol, Gheorghe Zaharia, Ghaïs El Zein

► **To cite this version:**

Sylvie Picol, Gheorghe Zaharia, Ghaïs El Zein. MIMO Hardware Simulator Design For UMTS And WLAN Applications. 8th European Conference on Wireless Technology 2005, Oct 2005, Paris, France. p. 355 - 358. hal-00175830

HAL Id: hal-00175830

<https://hal.science/hal-00175830>

Submitted on 1 Oct 2007

HAL is a multi-disciplinary open access archive for the deposit and dissemination of scientific research documents, whether they are published or not. The documents may come from teaching and research institutions in France or abroad, or from public or private research centers.

L'archive ouverte pluridisciplinaire **HAL**, est destinée au dépôt et à la diffusion de documents scientifiques de niveau recherche, publiés ou non, émanant des établissements d'enseignement et de recherche français ou étrangers, des laboratoires publics ou privés.

MIMO Hardware Simulator Design For UMTS And WLAN Applications

Sylvie Picol, Gheorghe Zaharia, Ghaïs El Zein

Institut d'Electronique et de Télécommunication de Rennes, UMR CNRS 6164

INSA, 20, avenue des Buttes de Coësmes

35043 RENNES Cedex, France, 02.23.23.87.14

Abstract — The aim of the PRIR SIMPAA2 project, which continues the research activities of the RNRT SIMPAA project, is the realization of a hardware simulator of MIMO propagation channels for UMTS (Universal Mobile Telecommunications System) and WLAN (Wireless Local Area Networks) applications. The simulator must reproduce the behavior of the radio propagation channel, thus making it possible to test "on table" the mobile radio equipments. The advantages are: low cost, short test duration, possibility to ensure the same test conditions in order to compare the performance of various equipments.

I. INTRODUCTION

During last years, the development of wireless technologies offers many prospects and new applications. This trend will probably be accentuated in the future, the systems still having to improve their data rate and mobility. UMTS and WLAN networks constitute the mobile and wireless telecommunications systems of third generation able to offer to general public the high-rate multi-media services. The capacity improvement of wireless networks has drawn considerable attention to MIMO (Multiple-Input Multiple-Output) communication techniques. MIMO methods make use of antenna arrays at both the transmit and the receive sides of a radio link to drastically improve the capacity over more traditional systems.

However, the transmitted electromagnetic waves interact with the propagation environment (indoor/outdoor). It is thus necessary to take into account the main propagation parameters during the design of the future communication systems. The optimal choice of the modulation, coding, etc. for these communication systems is based on a reliable model of the radio propagation channel. Moreover, after the hardware realization of a communication system, its experimental performance can be evaluated by using a hardware radio channel simulator. A hardware simulator can also be used to compare the performance of various radio communication systems in a time-variant propagation channel in the same test conditions.

This article presents the design of a hardware simulator for indoor/outdoor MIMO radio channels. Section 2 deals with the design of the channel simulator. It is divided into three parts : Channel model, RF and digital blocks describing their respective architecture and several parameters useful to design the hardware simulator. Lastly, Section 3 shows the software simulation of a SISO propagation channel. This simulation allows the

optimal choice of several parameters: number of bits per sample, data format (floating-point, fixed-point), truncation introducing an error. The trade-off between results accuracy and complexity represents an important choice during the design of the hardware simulator. This software simulation is an essential step before the hardware implementation.

II. HARDWARE SIMULATOR: PRINCIPLE, CHANNEL MODELING AND OPERATION

The simulator must reproduce the behavior of a MIMO propagation channel for a specific environment, indoor or outdoor. This makes it possible to check the correct operation of the new radio communication systems and to compare their performances under the same test conditions.

The simulator must operate with RF signals (2 GHz for UMTS and 5 GHz for WLAN). In order to make adjacent channel interference tests for UMTS systems, it is useful to consider three successive channels, thus to have a 3×5 MHz bandwidth. The frequency bandwidths B are: 15 MHz for UMTS and 20 MHz for WLAN.

Moreover, UMTS uses two operating modes: the TDD mode (Time Division Duplex) having the same frequency band for both uplink and downlink and the FDD mode (Frequency Division Duplex) having different frequency bands. In addition, depending on the strength of the transmitted signals, the simulator must be able to accept input signals with wide power range, between - 50 and 33 dBm, which implies a power control for the simulator inputs.

The number of radio frequency blocks is determined by the number of the transmitting and receiving antennas. For a transmitter with N_T antennas and a receiver using N_R antennas, the MIMO simulator must have $N_T N_R$ full-duplex SISO channels, thus $2 N_T N_R$ one-way SISO channels. The choice of 16 full-duplex SISO channels seems to be a suitable trade-off between utility and complexity, assuming $N_T, N_R \leq 8$ and $N_T N_R \leq 16$.

The design and realization of the RF block for UMTS systems were completed in the previous SIMPAA (SIMulateur Matériel de Propagation pour Antennes Adaptatives) project [1]. The RF block will need some modifications required by WLAN specifications. The RF blocks allow, for the downlink, to transpose the received signal to the intermediate frequency (IF), then to a bandwidth B low-pass signal, and conversely for the uplink.

The objectives of the regional SIMPAA2 project

mainly concern the channel model block and the digital block of the MIMO simulator, as shown in Fig. 1 by the gray blocks.

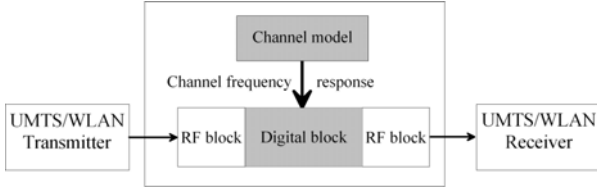


Fig. 1. Block diagram of a one-way SISO channel.

A. Channel Model Block

A MIMO channel is composed of several randomly time-variant correlated SISO channels. Fig. 2 illustrates a MIMO channel with $N_T = 2$ transmit antennas and $N_R = 2$ receive antennas.

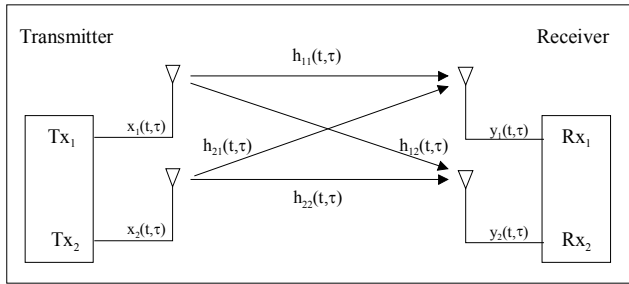


Fig. 2. MIMO channel (2 x 2 SISO channels).

For this MIMO channel, the signal $y_j(t, \tau)$ received by the j^{th} receive antenna can be easily obtained:

$$y_j(t, \tau) = x_1(t, \tau) * h_{1j}(t, \tau) + x_2(t, \tau) * h_{2j}(t, \tau), j = 1, 2 \quad (1)$$

For a hardware implementation, it is easier to use the Fourier transform to replace the convolution by an algebraic product:

$$Y_j(t, f) = X_1(t, f) \cdot H_{1j}(t, f) + X_2(t, f) \cdot H_{2j}(t, f), j = 1, 2 \quad (2)$$

Each randomly time-variant SISO channel is described by one of the Bello's characteristic functions [2], as shown in Fig. 3. The knowledge of one characteristic function makes it possible to compute the other characteristic functions by using the direct or inverse Fourier Transform.

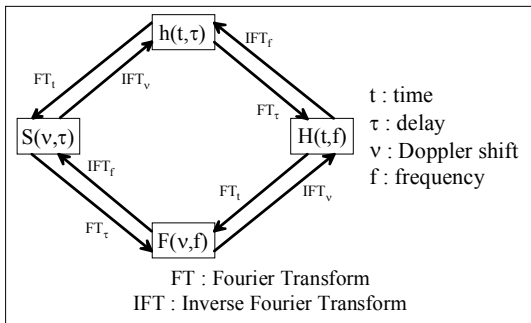


Fig. 3. Bello's characteristic functions.

There are several classes of channel models [3]: the parametric and nonparametric models and, in each one of these classes, the deterministic and stochastic models. The stochastic parametric models for different typical environments describe the parameters of the channel

model by statistical laws, obtained by the analysis of measured data.

Two types of channel sounders exist: the time domain sounder which measures the channel impulse response and the frequency domain sounder which gives the channel frequency response.

The channel models used by the simulator will be obtained from measurements by using a time domain MIMO channel sounder designed and realized at the IETR [4], as shown in Fig. 4.



Fig. 4. Antennas array and the transmitter of the MIMO channel sounder.

This MIMO channel sounder is based on the correlation technique [5]. For each SISO channel, the sounder gives the measured complex envelope of its impulse response. During the measurement of all SISO channels, the MIMO channel must be practically invariant. This limits the mobile speed and therefore the maximal value of the Doppler shift. The simplest way to use these measurement results is to compute, for each location of the mobile transmitter, the frequency responses $H_{ij}(t, f)$ as Fourier transforms of the impulse responses $h_{ij}(t, \tau)$ of the MIMO propagation channel. These frequency responses can be used to supply the "Channel model" block of each SISO channel, as shown in Fig. 1. Periodically, the frequency responses must be actualized, in order to simulate the channel time-evolution. The "refreshing" period of the frequency responses is determined by the channel coherence time, thus by the mobile speed and the propagation environment. As the number of the recorded files is finite, it will be necessary to periodically replay the whole set of frequency responses.

A more elaborate way to use the measurement results is to determine a statistical MIMO channel for each type of propagation environment (indoor, urban, rural, mountainous, etc.) and to generate $h_{ij}(t, \tau)$ profiles within the digital block. Local FFT (Fast Fourier Transform) modules are required to compute the frequency responses $H_{ij}(t, f)$ to be used by relation (2). Finally, for each receive antenna, an IFT will be used to obtain the time response $y_j(t, \tau)$.

B. RF Block

Fig. 5 shows the realization of the RF reception (high part) and transmission (low part) units, as well as the connection unit (left part) which allows the link between antenna and the RF reception and transmission units.

This RF block was realized in printed technology during the previous SIMPAA project.

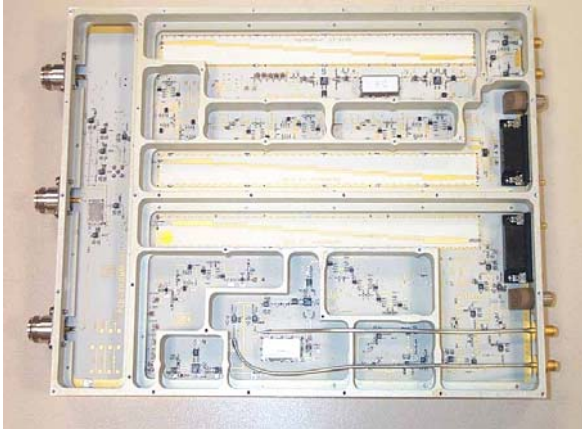


Fig. 5. UMTS reception and transmission of a SISO RF block

As shown in Fig. 6, for RF receiver and transmitter, the blocks “Attenuator” and “Amplifier” are controlled respectively via “Control bus” and “Gain control bus” in order to adjust the reception and transmission power by the automatic gain control (AGC).

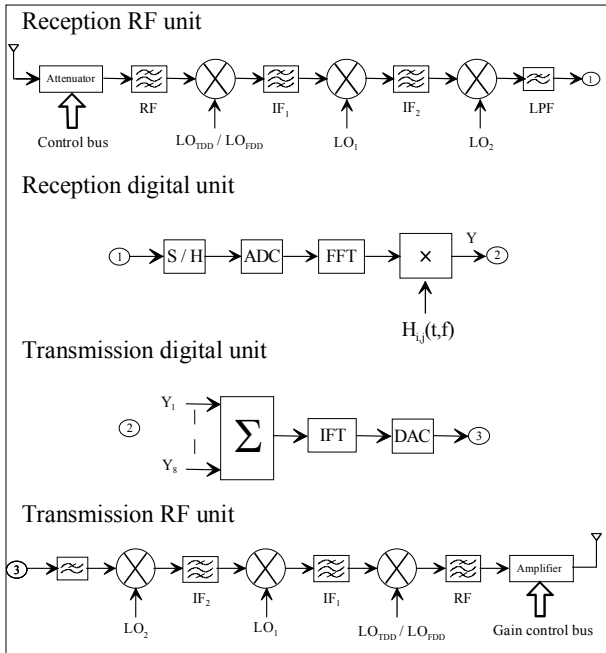


Fig. 6. RF blocks and digital block for an one-way SISO channel

In the reception RF unit, local oscillators LO_{TDD} and LO_{FDD} allow the RF to IF_1 conversion by taking into account the TDD and FDD modes which use different frequency bandwidths. Then, the third local oscillator LO_1 allows the IF_1 to IF_2 conversion. The IF_2 pass-band filter must perform a good rejection of the out-of-band frequencies to avoid aliasing problems. The local oscillator LO_2 and the Low Pass Filter give a low-pass signal. After the digital block, the transmission RF unit converts, with the equivalent steps, the low-pass version of the $y_j(t, \tau)$ signal into a RF signal. The final RF

amplifier restores the proper signal level by taking into account the attenuation introduced by AGC block.

C. Digital Block

By using the Nyquist-Shannon theorem and the expected performances of the RF/IF filters, the sampling frequency f_e was chosen as $f_e > 2B$, i.e. 40 MHz for UMTS systems and 50 MHz for WLAN systems. This choice allows a reasonable low sampling rate and avoids the aliasing problems.

According to the considered propagation environments, Table I summarizes some useful parameters.

TABLE I
SIMULATOR PARAMETERS

	Environment	Cell Size	N (2^n)	W_t (μ s)
UMTS	Rural	2-20 km	512	12,8
	Urban	0.4-2 km	128	3,2
	Indoor	20-400 m	32	0,8
WLAN, Hiperlan2	A office	40 m	32	0,64
	B indoor	50-150 m	64	1,28
	C indoor	50-150 m	64	1,28
	D indoor	50-150 m	64	1,28
	E outdoor	50-150 m	128	2,56

For these various environments, the size of the FFT blocks is estimated by:

$$N = \frac{W_t}{T_e} = W_t f_e \quad (3)$$

where W_t represents the width of the effective time window of the impulse response of the propagation channel, i.e. the width of the time-interval where the impulse response can be considered not null. The final value N is the closest 2^n value. The resulting W_t is also given in Table I.

For each environment, the maximum Doppler frequency can be calculated from the mobile speed and the carrier frequency. The coherence time can then be computed.

As shown in Fig. 6, the Fourier transform of the sampled low-pass input signal obtained at the output of the FFT block is multiplied by the channel frequency response $H_{ij}(t, f)$, including the correction of errors introduced by the filters of the reception RF unit. Finally, from the resulting MIMO signal $Y_j(t, f)$ representing the sum of all SISO $Y_{ij}(t, f)$ signals, the inverse Fourier transform (IFT block) gives the low-pass output signal $y_j(t, \tau)$ which represents the input of the transmission RF unit.

III. THE PTOLEMY SIMULATOR

During the SIMPAA project, a software propagation simulator for a SISO channel was produced with PTOLEMY development environment. PTOLEMY is an opened graphical design environment for heterogeneous

systems. This software simulator makes it possible to define and design the various blocks of the radio communication system (filters, modulators, FFT blocks, etc).

Fig. 7 presents the PTOLEMY block diagram of the baseband simulator for one SISO channel. Two main parts can be identified: the lower part corresponding to the channel impulse response and the input signal part with the frequency domain multiplication.

The digital block of a one-way SISO channel calculates the Fourier transform of the input signal and computes, for each output SISO channel, the product between this Fourier transform and the corresponding frequency response resulting from the channel modeling.

At the output of each SISO channel, an inverse Fourier transform gives the complex envelope of its impulse response. The signal is then transposed to IF to supply the RF block. For the j^{th} receiving antenna, the signal $y_j(t, \tau)$ provided by the simulator is, in fact, the sum of N_T products corresponding to N_T SISO channels.

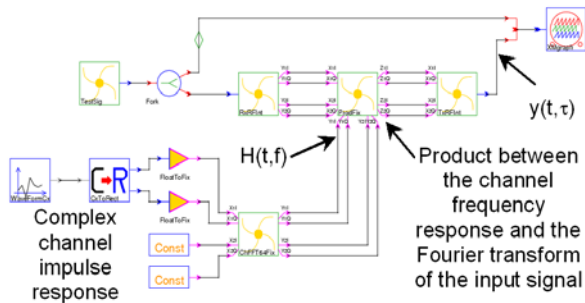


Fig. 7. PTOLEMY SISO channel simulation.

A. Channel Impulse Response

This block must produce the complex envelope of the channel impulse response. The first stage consists in breaking up this complex impulse response in real and imaginary parts, followed by the Fourier transform. Thus, the baseband channel frequency response is obtained.

B. Input Signal

The input signal, provided by the TestSig block, is an IF sinusoidal testing signal. In the RxRFInt block, this signal is divided into I (In-phase) and Q (Quadrature) components to pass directly in baseband. Then, a FFT ensures the generation of the Fourier transform of the input signal. The product between the channel frequency response and the input signal Fourier transform represents the Fourier transform of the channel output signal. An inverse FFT makes it possible to obtain the complex envelope of channel response. Lastly, the signal is converted from baseband into IF to enter in the RF block.

IV. CONCLUSION

SIMPAA2 project has two main objectives. The first objective concerns the design and the realization of the hardware simulator by using a prototyping platform containing programmable circuits and/or very fast signal processors with a very large scale of integration. The

second objective concerns the reliable MIMO channel models which must supply the digital block.

After a comparative study, in order to reduce the complexity of the digital block, the output signal of the MIMO simulator will be computed in the frequency domain. A software propagation simulator for a SISO channel was therefore produced by using the PTOLEMY development environment. This work will be continued to design the architecture of the hardware simulator by the choice of the number of bits per sample, data format (floating-point, fixed-point), minimization of the latency of the digital block, etc.

In order to obtain realistic models for different propagation environments, a MIMO channel sounder, realized by IETR was already used to perform several SISO and MIMO measurement campaigns. The analysis of the resulting data allowed a theoretical approach concerning the characterization of the MIMO propagation channel.

More measurement campaigns will be carried out with this MIMO channel sounder for various types of environments (indoor, outdoor, penetration), for both UMTS and WLAN frequency bands. The final objective of these measurements is to obtain realistic and reliable MIMO channel models in order to supply the digital block of the hardware simulator.

Lastly, the digital block of the MIMO hardware simulator will be implemented as an electronic module. A Graphical User Interface (GUI) will be also developed to allow the user to configure the channel parameters: environment type, channel model, time window, mobile speed, etc.

ACKNOWLEDGEMENT

The authors would like to thank the "Conseil régional de Bretagne" for its financial support of the SIMPAA2 project.

REFERENCES

- [1] www.telecom.gouv.fr/rnrt/rnrt/projets/res_d12_ap99.htm
- [2] P.A. Bello, "Characterization of randomly time-variant linear channels", *IEEE Transactions on Communication Systems*, vol. CS-11, pp.360-393, December 1963.
- [3] J. Guillet, *Caractérisation et modélisation spatio-temporel du canal de propagation radioélectrique dans le contexte MIMO*. Thèse de doctorat en électronique, INSA de Rennes, juillet 2004. <http://tel.ccsd.cnrs.fr/documents/archives0/00/00/80/11>
- [4] R. Cosquer, *Conception d'un sondeur de canal MIMO - Caractérisation du canal de propagation d'un point de vue directionnel et doublement directionnel*. Thèse de doctorat en électronique, INSA de Rennes, octobre 2004. <http://tel.ccsd.cnrs.fr/documents/archives0/00/00/76/59>
- [5] T. S. Rappaport, *Wireless Communications Principles & Practice*, Prentice Hall, 1996.