



HAL
open science

Low latency solution for confidentiality and integrity checking in embedded systems with off-chip memory

Romain Vaslin, Guy Gogniat, Jean-Philippe Diguët, Russell Tessier, Wayne Burleson

► **To cite this version:**

Romain Vaslin, Guy Gogniat, Jean-Philippe Diguët, Russell Tessier, Wayne Burleson. Low latency solution for confidentiality and integrity checking in embedded systems with off-chip memory. Reconfigurable communication-centric Socs 2007, Jun 2007, Montpellier, France. hal-00165288

HAL Id: hal-00165288

<https://hal.science/hal-00165288>

Submitted on 25 Jul 2007

HAL is a multi-disciplinary open access archive for the deposit and dissemination of scientific research documents, whether they are published or not. The documents may come from teaching and research institutions in France or abroad, or from public or private research centers.

L'archive ouverte pluridisciplinaire **HAL**, est destinée au dépôt et à la diffusion de documents scientifiques de niveau recherche, publiés ou non, émanant des établissements d'enseignement et de recherche français ou étrangers, des laboratoires publics ou privés.

Low latency solution for confidentiality and integrity checking in embedded systems with off-chip memory

Romain Vaslin, Guy Gogniat
Jean-Philippe Diguët
Eduardo Wanderley

University of Bretagne Sud
LESTER CNRS FRE 3427
Rue de Saint Maud
56321 Lorient Cedex France
email: vaslin@univ-ubs.fr

Russell Tessier, Wayne Burleson

University of Massachusetts
Dept of Electrical and Computer Engineering
309G Knowles Engineering Building
Amherst, Mass. 01003
email: tessier@ecs.umass.edu

Abstract

This paper proposes a complete hardware solution for embedded systems that fully protects off-chip memory. Our security core is based on one-time pad (OTP) encryption and a CRC integrity check module. These modules safeguard external memories for embedded processors against a series of well-known attacks, including replay attacks, spoofing attacks and relocation attacks. The implementation limits memory space overhead to 18.25 or 32.75%. It also reduces memory latency from 22 cycles for an alternate approach to 11 or 3 clock cycles depending on desired performance. The loss for software execution with our solution is only 10% compared with a non-protected solution. A FPGA-based implementation of the security core has been completed to gauge the security overhead and to compare our approach with existing solutions.

1 Introduction

With the development of new wireless communication standards like WiFi and Bluetooth, inter-entity communication (cell phone, PDA) is becoming unavoidable. Since sensitive data are often exchanged (e.g. a credit card number), it is necessary to protect these transfers. Security is quickly becoming a main bottleneck for communicating entities especially for embedded systems where performance is limited. More and more systems are facing hardware and software attacks [5]. Several solutions have been proposed that protect system architectures (secure architecture) and the data which is transferred (cryptography). Architecture protection mainly corresponds to the protec-

tion of data and the program stored in the system memory. Communication protection is related to the protection of data exchanged over an insecure communication channel.

As a consequence, various solutions have emerged that improve system protection. It is essential that these solutions support hardware architectures for embedded systems that meet tight constraints on memory size, performance and power consumption. In the following sections we propose a solution to fully protect an external memory (confidentiality and integrity) of embedded systems.

The paper is organized as follows. Section 2 describes the threat model and state of the art existing solutions. Section 3 details the one-time pad (OTP) protection and necessary extensions for integrity checking. In section 4, a typical implementation of our solution which uses an Altera NIOS II embedded processor [14] is described. Finally, section 5 offers perspectives on this work.

2 State of the art

2.1 Threat model

As described in [6], the external memory of an embedded system can face a variety of attacks, including those involving probing of the bus between a processor core and the memory. Often, an adversary can easily examine the data and address values placed on a bus. If the bus data is sensitive it must be ciphered with an encryption algorithm such as 3DES [1] or AES [2]. In this case, the confidentiality will be guaranteed. With spoofing attacks, relocation attacks or replay attacks, data ciphering along does not provide a sufficient level

of security. A spoofing attack (Figure 1) occurs when an attacker provides a random data value on the bus, causing the system to malfunction. A relocation or splicing attack (Figure 2) occurs when an instruction put on the bus by an attacker is copied from a different bus address. If the whole memory is encrypted with the same key, the swapped instruction will be executed instead of the original instruction. For example, a swapped instruction could make the program jump to malicious code stored in a non-ciphered part of memory. The last type of attack a system might face is a replay attack (Figure 3). This attack is similar to a relocation attack but an attacker provides a data value that was previously located at an address before it was overwritten.

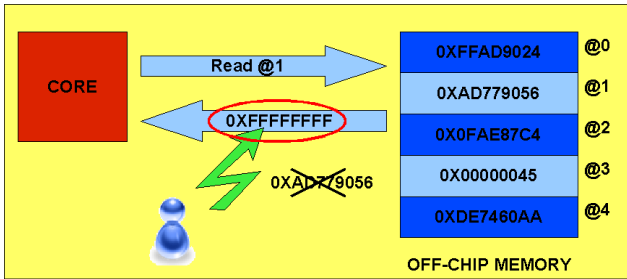


Figure 1: Spoofing attack

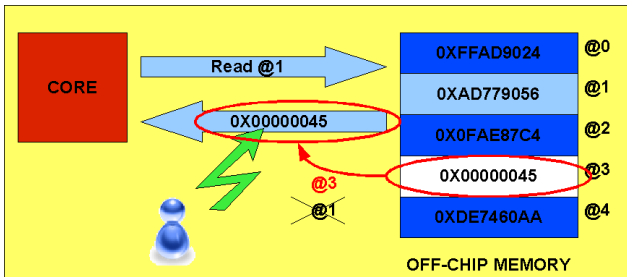


Figure 2: Relocation attack

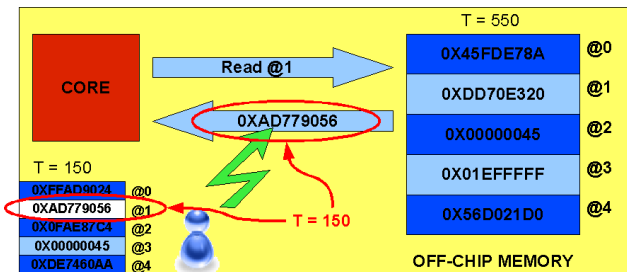


Figure 3: Replay attack

2.2 Existing solutions

This section describes three existing memory protection solutions. Two of these approaches, XOM [8] [13] and AEGIS [12] [10] [11], also provide other security primitives such as secure context switching and security level management. However, in this paper we solely evaluate techniques for external memory protection. For each technique there are system concerns which impact cores in the designated secure area.

2.2.1 XOM

The *eXecute Only Memory* (XOM) [8] [13] approach which provides memory protection, is based on complex key management. Each memory partition is associated with a session key that is needed to decrypt its contents. Encrypted session keys are stored in main memory and can be decrypted using an asymmetric secure private key. Decrypted session keys are stored in the XOM key table. The private key required for the asymmetric decryption is stored in the secure zone of the architecture. The algorithm used for the symmetric deciphering is an AES 256. When the core produces a cache miss, the 256 bits read from the memory need to be decrypted. For this case, AES increases the memory latency (case a on Figure 4). Data integrity is ensured by a message authentication code [7]. A hash of the data and its virtual address is concatenated with the data. The hash is then ciphered with the data and stored in memory. Although effective, this solution does not protect the system against replay attacks.

2.2.2 AEGIS

AEGIS [12] [10] [11] is an additional memory security solution. The confidentiality in the AEGIS solution relies on OTP encryption. The mechanisms used in OTP will be detailed in section 3.1. This encryption method typically has a small impact on memory latency at the cost of memory space overhead. The solution used by AEGIS for integrity checking is called a *cached hash tree*. This hashing approach is similar to a *Merkle tree* [9] but to increase the efficiency of the method some hash tree nodes are stored in a cache memory. For Merkle trees, only the hash root of tree is securely stored. All hashes must traverse the tree until the root is reached. For cached hash trees, a hash is only performed until the desired node is found in the hash. As a result, cached hash trees offer better results than Merkle trees. Cached hash trees can only be considered secure if the hash cache memory is in a trusted area of the system.

2.2.3 PE-ICE

PE-ICE [6] uses the spreading feature of block ciphering algorithms for AES to provide system confidentiality and integrity. Like XOM, a tag is added to the data before ciphering. For read-only values, the tag includes the memory address to prevent relocation attacks. For read-write values, the address and a random value are included to prevent replay attacks. Due to the spreading feature of AES, if one memory bit is modified, a huge impact will appear in the deciphered value. Indeed, the output of an AES is influenced by the input. The plaintext is composed of the data and the tag. When the system performs a comparison between the deciphered tag and the original one concatenated with the data, it can detect if data integrity has been maintained. Like XOM, PE-ICE can have an impact on memory read latencies since decryption can only be performed after the read of a full cache line from external memory. Integrity checking is added just with a comparator for the address and the tag. So the amount of logic needed to guarantee integrity is not important.

3 OTP encryption with extensions for integrity checking

3.1 OTP encryption standard solution

OTP encryption was initially proposed by Gilbert Vernam during World War I [3], but was only recently adapted for digital memory protection [11]. This previous work proposed to use the memory read access time to compute a random key called an OTP. This key is then XOR'd with the ciphered data to obtain the retrieved plaintext. Each OTP is created before a memory write and is used for encryption. The same OTP is used for subsequent decryption.

In most systems, memory accesses require a long latency. As a result, the cache line read latency may be long enough to perform OTP computation with AES. The AES algorithm is used to generate a random key. As shown in Figures 4(b) and (c), the latency added by encryption is reduced compared to *case a* which represents previous solutions (XOM, PE-ICE). These previous solutions use the data to be stored as the input for AES. In the case (b) on Figure 4, the latency added by OTP encryption is only the latency of a logical XOR operation. In general, the time needed to retrieve the data from the memory for decryption is longer than the time needed to compute the OTP with AES.

From a security standpoint, it is essential that the OTP key is used only one time. The OTP key is obtained with AES, so the AES inputs also need to be used just one time. If an OTP key is used several times, information leakage may occur. The attacker may be able to determine if data ciphered with a same OTP have the same values. In some cases, this leakage could be considered to be a problem depending on the level of desired security.

Since OTP computation is supported by AES, the inputs to AES must be determined. To prevent a system against relocation attacks, the data memory address is used as an AES core input for OTP generation (Figure 5). To prevent replay attacks, time stamps (TS) are used. As shown in Algorithm 1, the TS value associated with each data address is incremented by 1 after each OTP generation. For each new cache line memory write request, the system will compute a different OTP since the value of TS is incremented. The TS values are stored in a memory for later use during memory read operations. During a read, the original TS value is used for comparative purposes (Algorithm 2). The retrieved TS value is provided to AES during the read request. The result of AES will give the same OTP as the one produced for the write request and the encrypted data will become plaintext after being XOR'd (Algorithm 2).

Read-only data does not require protection against replay attacks because these data are never modified. No TS values are needed for these data so the amount of TS memory space can be reduced. Read-only data may be the target of relocation attacks but the address used to compute the OTP guarantees protection against these attacks. The size of the address and the TS might not be long enough to completely fill the AES function input, so padding may be necessary. A random value (RV) is used to pad the input value.

Algorithm 1 - Cache memory write request:

- 1 - $CRC(@) = CRC\{plaintext\}$
 - 2 - Time stamp incrementation : $TS(@) = TS(@) + 1$
 - 3 - OTP computation : $OTP = AES\{TS(@), @, RV\}$
 - 4 - Ciphered data = $plaintext \oplus OTP$
 - 5 - Ciphered data \Rightarrow memory
 - 6 - $TS(@) \Rightarrow TS$ memory
 - 7 - $CRC(@) \Rightarrow CRC$ memory
-

Algorithm 2 - Cache memory read request:

- 1 - Get $TS(@) \leftarrow TS \text{ memory}$
 - 2 - Get $CRC(@) \leftarrow CRC \text{ memory}$
 - 3 - *OTP computation* : $OTP = AES\{TS(@), @, RV\}$
 - 4 - Get ciphered data $\leftarrow \text{memory}$
 - 5 - $Plaintext = Ciphered \text{ data} \oplus OTP$
 - 6 - $CRC(@) \equiv CRC\{plaintext\}$
 - 7 - $Plaintext \Rightarrow \text{cache memory}$
-

Highlighted operations are only available for the extended OTP solution proposed here with integrity checking

The use of time stamp and data addresses for OTP protects a system against replay and relocation attacks. If data is replayed, the TS used for ciphering will differ from the one used for deciphering. If data is relocated, its address will differ from the one used to generate the OTP. In both cases, the deciphered data will be invalid. To use this information, the secure memory access system must be able to detect that the deciphered data is incorrect. Thus, we present an extension to the OTP encryption in the next section. Our OTP implementation is efficient because it performs OTP computation (operation 3 in Algorithm 2) in parallel with memory data requests (operation 4 in Algorithm 2). The Figure 4 provides a view of the gain.

3.2 Integrity checking extension

The system must be able to produce an error if an OTP core indicates an OTP mismatch. Therefore, a detection mechanism is needed. Additionally, integrity checking must be performed with a negligible overhead to minimize latency. Our solution to this issue involves the use of a CRC module. Prior to OTP generation, the CRC of the cache line to be encrypted (operation 1 in Algorithm 1) is stored in a cache (operation 7 in Algorithm 1). Later, when the processor core requests a read, the CRC32 result of the final XOR operation is compared with the CRC value stored in the memory (operation 6 in Algorithm 2). If data is changed following storage, the CRC of the retrieved value will differ from the stored value, so the attack is detected. As previously stated, the results of decryption following a replay or relocation attack will differ, so the CRC will differ. As shown in Figure 4 the latency added to the original OTP solution by our extension is the latency of CRC computation and checking. This CRC computation can be completed in one clock cycle. With the extended OTP, the minimum latency added to a memory access is the time to obtain the result of the XOR and the

CRC check (case b on Figure 4).

Since the CRC is performed on a full data cache line data, the operation can only be done when all the data have been read from the memory and XOR'd. A way to decrease the data retrieval latency is to perform the XOR and CRC on a 32 bit word and not on a full cache line (256 bits for example). It means that the system won't have to wait for the fetch of a full cache line for the external memory. As soon as the first 32 bits have been read, the 32 bits word is deciphered and checked for integrity so we save the latency for retrieving data. The decryption and integrity check for the other 32 bits word of the cache line (case c on Figure 4) can then be pipelined. This approach reduces memory latency due to security but will consume more memory space to store the CRC of each 32 bits words..

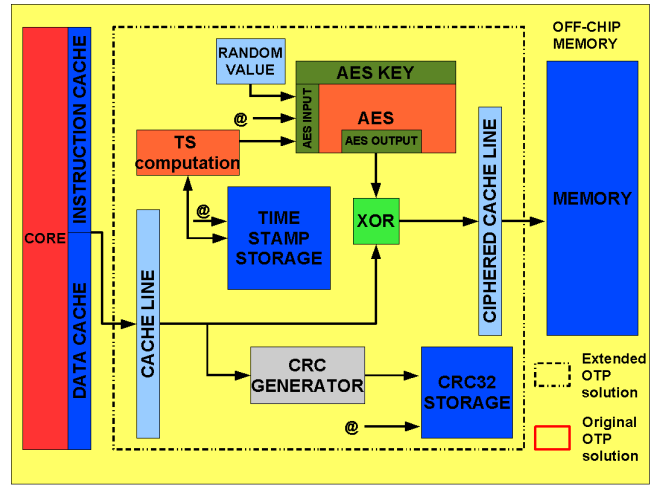


Figure 5: OTP write request

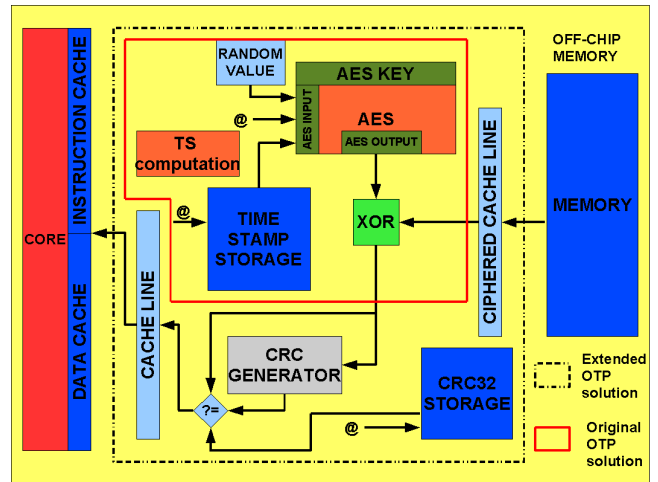


Figure 6: OTP read request

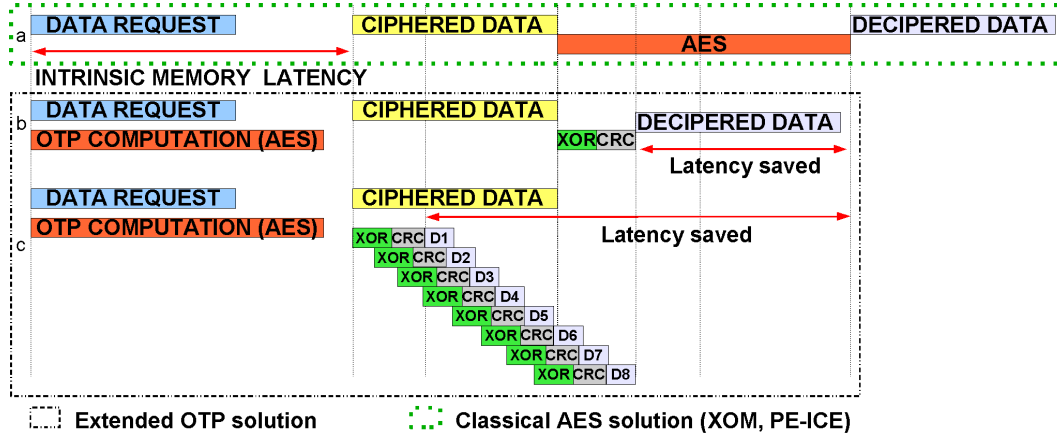


Figure 4: Overview of the latency added by different security solutions

	Base NIOS	NIOS + OTP ₁₂₈ + CRC32	NIOS + OTP ₁₂₈ + CRC8		
		overhead	overhead		
Logic (ALUTs)	2198	6193	x2.81	6095	x2.77
Memory (KB)	512	600	+18.75%	662	31.25%
Read latency (cycles)	0	11(8+3)	+11	3(0+3)	+3
Write latency (cycles)	0	12(8+4)	+12	12(8+4)	+12

Table 1: Cost of security for NIOS II

4 Implementation with an embedded processor

4.1 Global architecture features

The Altera NIOS II embedded processor has been used to test our new memory protection approach. The chosen configuration includes both an instruction and a data cache, each with 512 bytes and a 256 bits cache line. As seen in Figures 5 and 6, NIOS caches are interconnected to the OTP design via a 32 bits connection. A 32-bit wide connection is also used to connect the NIOS II to 4 Mbits of off-chip SDRAM.

For this work, we assume that the OTP core cannot be attacked using techniques such as fault injection. The memory space required to store the time stamps and CRC values depends on the nature of the stored data. Overheads are summarized in Equation 1.

As an example, we consider a system with a total memory size of 512 KB and the solution with a 32 bits CRC. A total of 256 KB is read-only data and the remaining 256 KB is read-write (RW) data. According to Equation 1 we need to have $OTP_{STORAGE} = 96$ KB (32 KB for $TS_{STORAGE}$ and 64 KB for $CRC32_{STORAGE}$ with a TS SIZE and a $CRC32$ SIZE of 32 bits).

Time stamps are unnecessary for read-only data.

Equation 1 - OTP memory consumption

$$OTP_{STORAGE} = TS_{STORAGE} + CRC_{STORAGE}$$

$$TS_{STORAGE} = \left(\frac{RW \text{ DATA MEMORY SIZE}}{CACHE \text{ LINE WIDTH}} \right) * TS \text{ SIZE}$$

$$CRC32_{STORAGE} = \left(\frac{TOTAL \text{ MEMORY SIZE}}{CACHE \text{ LINE WIDTH}} \right) * CRC \text{ SIZE}$$

For our system, an AES core of 128 bits is selected to minimize the hardware impact of OTP on the overall design. As a result, OTP values are 128 bits long. Since the AES core generates 128 bits and each cache line has 256 bits per line, each 128 bits OTP must be used twice to encrypt a full cache line. The CRC32 module has an input of 256 bits (a full cache line). This module produces a 32 bits output which is stored in the CRC32 cache (Figure 5) or compared with a value stored in the cache (Figure 6). For the pipelined version of the design the CRC8 has a 32 bits input and an 8 bits output. Based on Equation 1, the memory needs for CRC storage are of importance (160KB).

4.2 Cost of security

In this section, we present the cost of adding our memory protection mechanisms to a NIOS II based system. In Table 1, it can be seen that the impact on the design logic size in look-up tables (ALUTs) is significant (x2.81). Memory overhead is 18.75% for our chosen parameters. As discussed in the previous section, these overheads depend on the memory architecture and desired security level of the system (Equation 1). As underlined before with the pipeline version the amount of memory needed is more important (31.25%).

The added circuitry has an effect on latency; 11 additional cycles are needed to perform read transactions compare with a base NIOS architecture (Table 1). These 11 cycles include 8 cycles to perform the read of a full cache line. The last 3 clock cycles represent the time needed to perform the XOR and CRC check operations on the data. This overhead is significant but as shown in Figure 4 and in Table 2, the overhead is less important for our new approach versus previous approaches based on AES protection. With a CRC8, the latency is reduced to the time needed to perform the XOR and CRC8. This value measures 3 cycles since it is not necessary to wait for the full cache line data to be retrieved from external memory. As soon as the first 32 bits are fetched, the module can decipher and check the integrity of these first 32 bits.

In the case of our secure architecture, the overhead for a write request is 12 cycles. A total of 8 cycles are due to the time required to fetch data. The last 4 cycles are due to OTP management. These latencies are significant but all solutions requiring block ciphering will require some latency. The benefit of a solution depends on the time required to perform encryption (Figure 4).

In Table 1, it clearly appears that there is a trade-off to be made between the memory and the latency overhead. Our approach provides an opportunity to choose the best system depending on the application. Moreover, we target a reconfigurable architecture (an FPGA) which allows us to select the most appropriate architecture at system power up.

4.3 Evaluation

In the previous section, we described the cost of security for our solution. In this section, we compare this cost to previous solutions described in section 2.2. Table 2 summarizes a number of relevant cost values. All of these approaches support the same level of security (confidentiality and integrity for an off-chip memory).

The first desired point of comparison is logic area overhead. Unfortunately, a lack of data from the other approaches make this comparison impossible. In general, each approach requires at least one AES core. Differences include the number of cores used by each solution and the method chosen for integrity check. For PE-ICE, there is no hardware cost for integrity checking. For AEGIS, the integrity check (cached hashed tree) uses an SHA-1 algorithm which is generally performed in software. The software approach can be time consuming. In [10], the authors propose a hardware implementation of SHA-1 although no overhead values are presented. For our case, the logic overhead added by integrity checking is only in the CRC check module.

In terms of memory, our solution consumes less space than other solutions even if the overhead is around 32% for the version with the CRC8. AEGIS also guarantees confidentiality using OTP so it also requires space for time stamps. However, the use of a cached hash tree for integrity checking causes a memory overhead of 33%. For XOM no memory overhead figures have been published. However, since the XOM integrity check uses a MAC solution some storage space will be needed to store hash signatures. Memory overhead for PE-ICE results from tags (address and random values) added to the data and also from on-chip storage needed to securely store random values.

The next comparison point is system memory latency. If we compare the latency of our new approach with an earlier AES based solution (such as XOM or PE-ICE), it will be less. For PE-ICE, latency is an issue due to the time needed to check if a tag is the same as one stored in on-chip memory. For AEGIS, which is based on OTP encryption, the latency caused by confidentiality is reasonable, but the integrity check is done in software. This issue badly impacts the system. For example, in [10], the authors report that the SHA-1 algorithm needs 4715 cycles to compute the hash. If the implementation was done in hardware, the latency would be around 80 cycles which is still significant. It is clearly shown in Table 2 that our approach reduces latency compared to other approaches. Only 3/11 cycles are needed instead of the 22 cycles required by previous AES based solutions.

	base AES (no integrity)	our solution OTP + CRC32		our solution OTP + CRC8		XOM AES + MAC		PE-ICE AES		AEGIS OTP + hash trees	
			overhead		overhead		overhead		overhead		overhead
Memory (KB)	512	600	+18.75%	662	31.25%	N/A	N/A	776	+50.7%	768	+50%
Read latency (cycles)	22(14+8)	11(8+3)	-11	3(0+3)	-19	22	0	25(17+8)	+3	≈(SHA-1)	+4502/69
Write latency (cycles)	22(14+8)	12(8+4)	-10	12(8+4)	-10	22	0	26(18+8)	+4	N/A	N/A

Table 2: Overhead comparison of all the solutions with a classic AES protected solution. The latencies presented, are those added by encryption (the time to fetch data is included, 8 cycles are required)

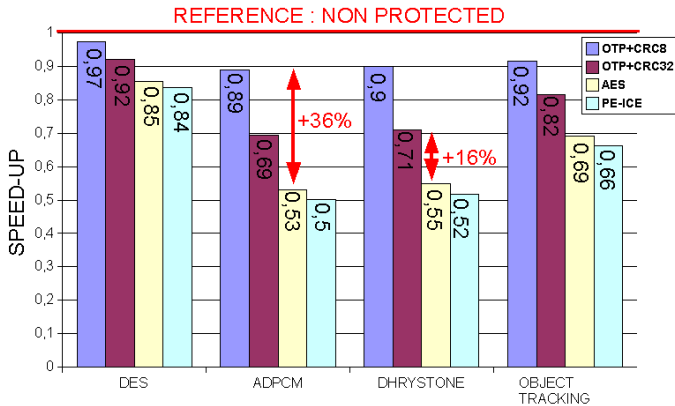


Figure 7: Estimation of the overhead based on the number of cache miss with non-protected architecture for different application executions

Finally, Figure 7 gives an overview of the speed-up versus software execution for our security solution. For the most efficient version of our approach we reduce the overhead about 36% compared with a standard solution based on an AES ciphering (with no integrity checking). The execution overhead due to security compared with a non-protected solution is around 10%, depending on the cache miss rate due to the application. The price of this very high efficiency in software execution is the memory footprint. For the pipelined version of our proposition, the overhead in memory is around 32% which is less than all other solutions. So we have a choice between : a secured system with a low memory footprint and an average latency; or a very low latency system with an medium memory overhead.

5 Perspectives

In this paper, we have evaluated the impact of off-chip memory security on a processor architecture and give some estimation of the software execution overhead. A number of interesting issues remain. The next step is to study what is the best trade-off for memory/latency overhead. In this paper, we only focus on 2 versions; one for a full cache line CRC and the second one for

a 32 bits CRC. It will be interesting to perform some experiments on 64 bits and 128 bits versions.

Since many embedded systems require battery-based operation, power consumption is also an important issue. A complete analysis of the power costs of our approach is needed to evaluate the overhead of our solution on power consumption. From a security standpoint, additional work is needed to protect on-chip memory used to store TS and CRC values. This memory could be targeted by fault injection attacks leading to incorrect system operation.

The work presented in this paper uses a reconfigurable target (FPGA). The features of reconfigurable architectures provide some interesting perspectives for security. It may be possible to adapt the security level of the architecture in response to different threat levels. In [4], the authors propose reconfigurable mechanisms to provide for a fault tolerant AES. Another security adaptation opportunity might involve real-time operating systems (RTOS). The RTOS may have specific primitives to enable hardware security primitives. The isolation of non-sensitive data would reduce the amount of memory needed to store TS and CRC tags.

6 Conclusion

This paper presents an efficient security solution (confidentiality and integrity) for off-chip memory. OTP encryption is combined with CRC integrity checking to reduce memory access latency and secure memory overheads. The demanding requirements of embedded systems have led us to propose a solution for such systems. The next step for this approach might be the implementation of memory overheads (TS and CRC) in non-secure parts of the architecture which could be exposed to fault injection.

References

- [1] 3DES RFC 1851. <ftp://ftp.rfc-editor.org/in-notes/rfc1851.txt>, September 1995.
- [2] AES RFC 3565. <ftp://ftp.rfc-editor.org/in-notes/rfc3565.txt>, July 2003.

- [3] Ross J. Anderson. *Security Engineering: A Guide to Building Dependable Distributed Systems*. John Wiley & Sons, Inc., 2001.
- [4] Wayne Burleson, Guy Gogniat, and Tilman Wolf. Reconfigurable security support for embedded systems. In *HICSS '06: Proceedings of the 39th Annual Hawaii International Conference on System Sciences (HICSS'06)*, page 250.1, January 2006.
- [5] David Dagon, Tom Martin, and Thad Starner. Mobile phones as computing devices: The viruses are coming! *IEEE Pervasive Computing*, 3(4):11–15, 2004.
- [6] Reouven Elbaz, Lionel Torres, Gilles Sassatelli, Pierre Guillemain, Michel Bardouillet, and Albert Martinez. A parallelized way to provide data encryption and integrity checking on a processor-memory bus. In *DAC '06: Proceedings of the 43rd annual conference on Design automation*, pages 506–509, July 2006.
- [7] H. Krawczyk, M. Bellare, and R. Canetti. Hmac: Keyed-hashing for message authentication, February 1997.
- [8] David Lie, Chandramohan A. Thekkath, and Mark Horowitz. Implementing an untrusted operating system on trusted hardware. In *SOSP '03: Proceedings of the nineteenth ACM symposium on Operating systems principles*, pages 178–192, October 2003.
- [9] R. C. Merkle. Protocols for public key cryptography. In *IEEE Symposium on Security and Privacy*, pages 122–134, 1980.
- [10] G. Edward Suh, Dwaine Clarke, Blaise Gassend, Marten van Dijk, and Srinivas Devadas. Aegis: architecture for tamper-evident and tamper-resistant processing. In *ICS '03: Proceedings of the 17th annual international conference on Supercomputing*, pages 160–171, 2003.
- [11] G. Edward Suh, Dwaine Clarke, Blaise Gassend, Marten van Dijk, and Srinivas Devadas. Efficient memory integrity verification and encryption for secure processors. In *MICRO 36: Proceedings of the 36th annual IEEE/ACM International Symposium on Microarchitecture*, page 339, 2003.
- [12] G. Edward Suh, Charles W. O'Donnell, Ishan Sachdev, and Srinivas Devadas. Design and implementation of the aegis single-chip secure processor using physical random functions. In *ISCA '05: Proceedings of the 32nd Annual International Symposium on Computer Architecture*, pages 25–36, 2005.
- [13] David Lie Chandramohan Thekkath, Mark Mitchell, Patrick Lincoln, Dan Boneh, John Mitchell, and Mark Horowitz. Architectural support for copy and tamper resistant software. In *ASPLOS-IX: Proceedings of the ninth international conference on Architectural support for programming languages and operating systems*, pages 168–177, 2000.
- [14] ALTERA website. <http://www.altera.com/>.