



HAL
open science

Design of a Three-Axis Isotropic Parallel Manipulator for Machining Applications: The Orthoglide

Philippe Wenger, Damien Chablat

► **To cite this version:**

Philippe Wenger, Damien Chablat. Design of a Three-Axis Isotropic Parallel Manipulator for Machining Applications: The Orthoglide. 2002, Québec, Canada. pp.1-9. <hal-00145281>

HAL Id: hal-00145281

<https://hal.science/hal-00145281v1>

Submitted on 9 May 2007

HAL is a multi-disciplinary open access archive for the deposit and dissemination of scientific research documents, whether they are published or not. The documents may come from teaching and research institutions in France or abroad, or from public or private research centers.

L'archive ouverte pluridisciplinaire **HAL**, est destinée au dépôt et à la diffusion de documents scientifiques de niveau recherche, publiés ou non, émanant des établissements d'enseignement et de recherche français ou étrangers, des laboratoires publics ou privés.



HAL Authorization

Design of a Three-Axis Isotropic Parallel Manipulator for Machining Applications: The Orthoglide

PHILIPPE WENGER, DAMIEN CHABLAT

Institut de Recherche en Communications et Cybernétique de Nantes (IRCCyN)

1, rue de la Noë, 44321 Nantes, France

email: Philippe.Wenger@irccyn.ec-nantes.fr

email: Damien.Chablat@irccyn.ec-nantes.fr

Abstract: *The orthoglide is a 3-DOF parallel mechanism designed at IRCCyN for machining applications. It features three fixed parallel linear joints which are mounted orthogonally and a mobile platform which moves in the Cartesian x - y - z space with fixed orientation. The orthoglide has been designed as function of a prescribed Cartesian workspace with prescribed kinetostatic performances. The interesting features of the orthoglide are a regular Cartesian workspace shape, uniform performances in all directions and good compactness. A small-scale prototype of the orthoglide under development is presented at the end of this paper.*

Introduction

Parallel kinematic machines (PKM) are interesting alternative designs for high-speed machining applications and have been attracting the interest of more and more researchers and companies. Since the first prototype presented in 1994 during the ICMTS in Chicago by Gidding&Lewis (the Variax), many other prototypes have appeared.

However, the existing PKM suffer from two major drawbacks, namely, a complex Cartesian workspace and highly non linear input/output relations. For most PKM, the Jacobian matrix which relates the joint rates to the output velocities is not constant and not isotropic. Consequently, the performances (e.g. maximum speeds, forces accuracy and rigidity) vary considerably for different points in the Cartesian workspace and for different directions at one given point. This is a serious drawback for machining applications (Kim (1997); Treib *et al.* (1998); Wenger *et al.* (1999)). To be of interest for machining applications, a PKM should preserve good workspace properties, that is, regular shape and acceptable kinetostatic performances throughout. In milling applications, the machining conditions must remain constant along the whole tool path (Rehsteiner (1999); Rehsteiner *et al.* (1999)). In many research papers, this crite-

riterion is not taking into account in the algorithmic methods used for the optimization of the workspace volume (Luh *et al.* (1996); Merlet (1999)).

The orthoglide optimization is conducted to define a 3-axis PKM with the advantages a classical serial PPP machine tool but not its drawbacks. Most industrial 3-axis machine-tool have a serial PPP kinematic architecture with orthogonal linear joint axes along the x , y and z directions. Thus, the motion of the tool in any of these directions is linearly related to the motion of one of the three actuated axes. Also, the performances are constant in the most part of the Cartesian workspace, which is a parallelepiped. The main drawback is inherent to the serial arrangement of the links, namely, poor dynamic performances.

The orthoglide is a PKM with three fixed linear joints mounted orthogonally. The mobile platform is connected to the linear joints by three articulated parallelograms and moves in the Cartesian x - y - z space with fixed orientation. Its workspace shape is close to a cube whose sides are parallel to the planes xy , yz and xz respectively. The optimization is conducted on the basis of the size of a prescribed cubic workspace with bounded velocity and force transmission factors. Two criteria are used for the architecture optimization of the orthoglide, (i) the conditioning of the Jacobian matrix of the PKM (Golub *et al.* (1989); Salisbury *et al.* (1982); Angeles (1997)) and (ii) the manipulability ellipsoid (Yoshikawa (1985)).

The first criterion leads to an isotropic architecture and to homogeneous performances in the workspace. The second criterion permits to optimize the actuated joint limits and the link lengths of the orthoglide with respect to the aforementioned two criteria.

Next section presents the orthoglide. The kinematic equations and the singularity analysis is detailed in Section 3. Section 4 is devoted to the optimization process of the orthoglide and to the presentation of the prototype.

2 Description of the Orthoglide

Most existing PKM can be classified into two main families. The PKM of the first family have fixed foot points and variable length struts and are generally called “hexapods”. They have a Stewart-Gought parallel kinematic architecture. Many prototypes and commercial hexapod PKM already exist like the Variax-Hexacenter (Gidding&Lewis), the CMW300 (Compagnie Mécanique des Vosges), the TORNADO 2000 (Hexel), the MIKROMAT 6X (Mikromat/IWU), the hexapod OKUMA (Okuma), the hexapod G500 (GEODETIC). In this first family, we find also hybrid architectures with a 2-axis wrist mounted in series to a 3-DOF tripod positioning structure (the TRICEPT from Neos Robotics).

The second family of PKM has been more recently investigated. In this category we find the HEXAGLIDE (ETH Zürich) which features six parallel (also in the geometrical sense) and coplanar linear joints. The HexaM (Toyoda) is another example with non coplanar linear joints. A 3-axis translational version of the hexaglide is the TRIGLIDE (Mikron), which has three coplanar and parallel linear joints. Another 3-axis translational PKM is proposed by the ISW Uni Stuttgart with the LINAPOD. This PKM has three vertical (non coplanar) linear joints. The URANE SX (Renault Automation) and the QUICKSTEP (Krause & Mauser) are 3-axis PKM with three non coplanar horizontal linear joints. The SPRINT Z3 (DS Technology) is a 3-axis PKM with one degree of translation and two degrees of rotations. A hybrid parallel/serial PKM with three parallel inclined linear joints and a two-axis wrist is the GEORGE V (IFW Uni Hanover).

PKMs of the second family are more interesting because the actuators are fixed and thus the moving masses are lower than in the hexapods and tripods.

The orthoglide presented in this article is a 3-axis translational parallel kinematic machine with variable foot points and fixed length struts. Figure 1 shows the general kinematic architecture of the orthoglide.

The orthoglide has three parallel $PRPaR$ identical chains (where P , R and Pa stands for Prismatic, Revolute and Parallelogram joint, respectively). The actuated joints are the three orthogonal linear joints. These joints can be actuated by means of linear motors or by conventional rotary motors with ball screws. The output body is connected to the linear joints through a set of three parallelograms of equal lengths $L = B_iC_i$, so that it can move only in translation. The first linear joint axis is parallel to the x -axis, the second one is parallel to the y -axis and the third one is parallel to the z -axis. In figure 1, the base points A_1 , A_2 and A_3 are fixed on the i^{th} linear axis such that $A_1A_2 = A_1A_3 = A_2A_3$, B_i is at the intersection of the first revolute axis \mathbf{i}_i and the second revolute axis \mathbf{j}_i of the i^{th} parallelogram, and C_i is at the intersection of the last two revolute joints of the i^{th} parallelogram. When each B_iC_i is aligned with the linear joint axis A_iB_i , the orthoglide is in an isotropic configuration (see 4.4) and the tool center point P is located at the

intersection of the three linear joint axes. In this configuration, the base points A_1 , A_2 and A_3 are equally distant from P . The symmetric design and the simplicity of the kinematic chains (all joints have only one degree of freedom, Fig. 2) should contribute to lower the manufacturing cost of the orthoglide.

The orthoglide is free of singularities and self-collisions. The workspace has a regular, quasi-cubic shape. The input/output equations are simple and the velocity transmission factors are equal to one along the x , y and z direction at the isotropic configuration, like in a serial PPP machine (Wenger *et al.* (2000)).

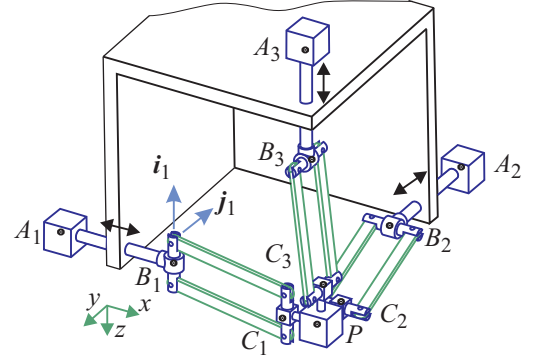


Figure 1: Orthoglide kinematic architecture

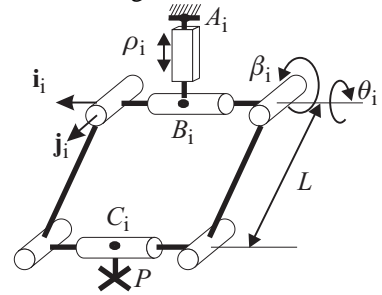


Figure 2: Leg kinematics

3 Kinematic Equations and Singularity Analysis

3.1 Static Equations

Let θ_i and β_i denote the joint angles of the parallelogram about the axes \mathbf{i}_i and \mathbf{j}_i , respectively (fig. 2). Let ρ_1, ρ_2, ρ_3 denote the linear joint variables, $\rho_i = A_iB_i$. In a reference frame (O, x, y, z) centered at the intersection of the three linear joint axes (note that the reference frame has been translated in Fig. 1 for more legibility), the position vector \mathbf{p} of the tool center point P can be defined in three different ways:

$$\mathbf{p} = \begin{bmatrix} a + \rho_1 + \cos(\theta_1) \cos(\beta_1)L + e \\ \sin(\theta_1) \cos(\beta_1)L \\ -\sin(\beta_1)L \end{bmatrix} \quad (1a)$$

$$\mathbf{p} = \begin{bmatrix} -\sin(\beta_2)L \\ a + \rho_2 + \cos(\theta_2)\cos(\beta_2)L + e \\ \sin(\theta_2)\cos(\beta_2)L \end{bmatrix} \quad (1b)$$

$$\mathbf{p} = \begin{bmatrix} \sin(\theta_3)\cos(\beta_3)L \\ -\sin(\beta_3)L \\ a + \rho_3 + \cos(\theta_3)\cos(\beta_3)L + e \end{bmatrix} \quad (1c)$$

where $a = OA_i$, $e = C_iP$ and we recall that $L = B_iC_i$, $\rho_i = A_iB_i$.

3.2 Kinematic Equations

Let $\dot{\boldsymbol{\rho}}$ be referred to as the vector of actuated joint rates and $\dot{\mathbf{p}}$ as the velocity vector of point P :

$$\dot{\boldsymbol{\rho}} = [\dot{\rho}_1 \ \dot{\rho}_2 \ \dot{\rho}_3]^T, \quad \dot{\mathbf{p}} = [\dot{x} \ \dot{y} \ \dot{z}]^T$$

$\dot{\mathbf{p}}$ can be written in three different ways by traversing the three chains $A_iB_iC_iP$:

$$\dot{\mathbf{p}} = \mathbf{n}_1\dot{\rho}_1 + (\dot{\theta}_1\mathbf{i}_1 + \dot{\beta}_1\mathbf{j}_1) \times (\mathbf{c}_1 - \mathbf{b}_1) \quad (2a)$$

$$\dot{\mathbf{p}} = \mathbf{n}_2\dot{\rho}_2 + (\dot{\theta}_2\mathbf{i}_2 + \dot{\beta}_2\mathbf{j}_2) \times (\mathbf{c}_2 - \mathbf{b}_2) \quad (2b)$$

$$\dot{\mathbf{p}} = \mathbf{n}_3\dot{\rho}_3 + (\dot{\theta}_3\mathbf{i}_3 + \dot{\beta}_3\mathbf{j}_3) \times (\mathbf{c}_3 - \mathbf{b}_3) \quad (2c)$$

where \mathbf{b}_i and \mathbf{c}_i are the position vectors of the points B_i and C_i , respectively, and \mathbf{n}_i is the direction vector of the linear joints, for $i = 1, 2, 3$.

3.3 Singular configurations

We want to eliminate the two idle joint rates $\dot{\theta}_i$ and $\dot{\beta}_i$ from Eqs. (2a–c), which we do upon dot-multiplying Eqs. (2a–c) by $\mathbf{c}_i - \mathbf{b}_i$:

$$(\mathbf{c}_1 - \mathbf{b}_1)^T \dot{\mathbf{p}} = (\mathbf{c}_1 - \mathbf{b}_1)^T \mathbf{n}_1 \dot{\rho}_1 \quad (3a)$$

$$(\mathbf{c}_2 - \mathbf{b}_2)^T \dot{\mathbf{p}} = (\mathbf{c}_2 - \mathbf{b}_2)^T \mathbf{n}_2 \dot{\rho}_2 \quad (3b)$$

$$(\mathbf{c}_3 - \mathbf{b}_3)^T \dot{\mathbf{p}} = (\mathbf{c}_3 - \mathbf{b}_3)^T \mathbf{n}_3 \dot{\rho}_3 \quad (3c)$$

Equations (3a–c) can now be cast in vector form, namely

$$\mathbf{A}\dot{\mathbf{p}} = \mathbf{B}\dot{\boldsymbol{\rho}}$$

where \mathbf{A} and \mathbf{B} are the parallel and serial Jacobian matrices, respectively:

$$\mathbf{A} = \begin{bmatrix} (\mathbf{c}_1 - \mathbf{b}_1)^T \\ (\mathbf{c}_2 - \mathbf{b}_2)^T \\ (\mathbf{c}_3 - \mathbf{b}_3)^T \end{bmatrix} \quad (4a)$$

$$\mathbf{B} = \begin{bmatrix} \eta_1 & 0 & 0 \\ 0 & \eta_2 & 0 \\ 0 & 0 & \eta_3 \end{bmatrix} \quad (4b)$$

with $\eta_i = (\mathbf{c}_i - \mathbf{b}_i)^T \mathbf{n}_i$ for $i = 1, 2, 3$.

The parallel singularities (Chablat *et al.* (1998)) occur when the determinant of the matrix \mathbf{A} vanishes, *i.e.* when $\det(\mathbf{A}) = 0$. In such configurations, it is possible to move locally the mobile

platform whereas the actuated joints are locked. These singularities are particularly undesirable because the structure cannot resist any force. Eq. (4a) shows that the parallel singularities occur when:

$$(\mathbf{c}_1 - \mathbf{b}_1) = \alpha(\mathbf{c}_2 - \mathbf{b}_2) + \lambda(\mathbf{c}_3 - \mathbf{b}_3)$$

that is when the points B_1, C_1, B_2, C_2, B_3 and C_3 are coplanar (Fig. 3). A particular case occurs when the links B_iC_i are parallel (Fig. 4):

$$\begin{aligned} (\mathbf{c}_1 - \mathbf{b}_1) & // (\mathbf{c}_2 - \mathbf{b}_2) \quad \text{and} \\ (\mathbf{c}_2 - \mathbf{b}_2) & // (\mathbf{c}_3 - \mathbf{b}_3) \quad \text{and} \\ (\mathbf{c}_3 - \mathbf{b}_3) & // (\mathbf{c}_1 - \mathbf{b}_1) \end{aligned}$$

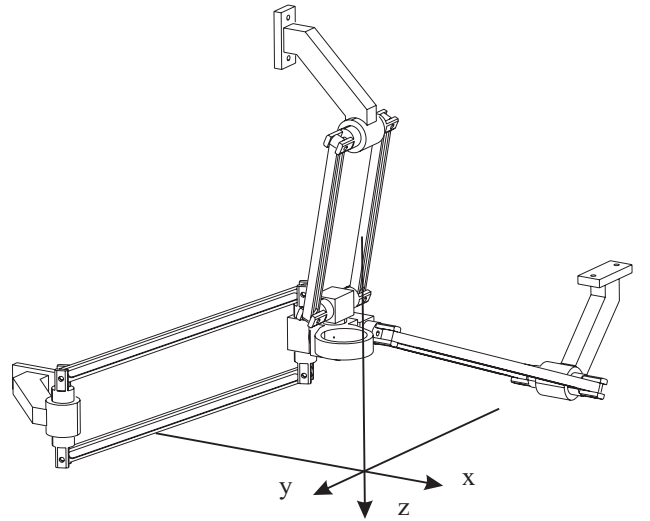


Figure 3: Parallel singular configuration when B_iC_i are coplanar

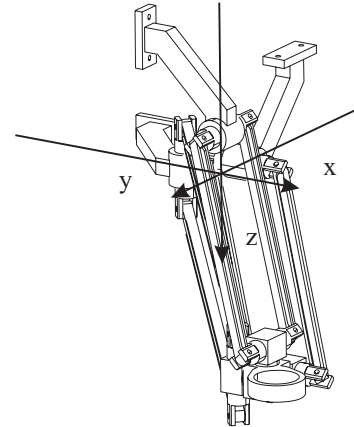


Figure 4: Parallel singular configuration when B_iC_i are parallel

Serial singularities arise when the serial Jacobian matrix \mathbf{B} is no longer invertible *i.e.* when $\det(\mathbf{B}) = 0$. At a serial singularity a direction exists along which any cartesian velocity cannot be

produced. Eq. (4b) shows that $\det(\mathbf{B}) = 0$ when for one leg i , $(\mathbf{b}_i - \mathbf{a}_i) \perp (\mathbf{c}_i - \mathbf{b}_i)$.

The optimization of the orthoglide will put the serial and parallel singularities far away from the workspace (see 4.4).

4 Design and Performance Analysis of the Orthoglide

For usual machine tools, the Cartesian workspace is generally given as a function of the size of a right-angled parallelepiped. Due to the symmetrical architecture of the orthoglide, the Cartesian workspace has a fairly regular shape in which it is possible to include a cube whose sides are parallel to the planes xy , yz and xz respectively (Fig. 5).

The aim of this section is to define the dimensions of the orthoglide as a function of the size $L_{Workspace}$ of a prescribed cubic workspace with bounded transmission factors. We first show that the orthogonal arrangement of the linear joints is justified by the condition on the isotropy and manipulability: we want the orthoglide to have an isotropic configuration with velocity and force transmission factors equal to one. Then, we impose that the transmission factors remain under prescribed bounds throughout the prescribed workspace and we deduce the link dimensions and the joint limits.

4.1 Condition Number and Isotropic Configuration

The Jacobian matrix is said to be isotropic when its condition number attains its minimum value of one (Angeles (1997)). The condition number of the Jacobian matrix is an interesting performance index which characterises the distortion of a unit ball under the transformation represented by the Jacobian matrix. The Jacobian matrix of a manipulator is used to relate (i) the joint rates and the Cartesian velocities, and (ii) the static load on the output link and the joint torques or forces. Thus, the condition number of the Jacobian matrix can be used to measure the uniformity of the distribution of the tool velocities and forces in the Cartesian workspace.

4.2 Isotropic Configuration of the Orthoglide

For parallel manipulators, it is more convenient to study the conditioning of the Jacobian matrix that is related to the inverse transformation, \mathbf{J}^{-1} . When \mathbf{B} is not singular, \mathbf{J}^{-1} is defined by:

$$\dot{\rho} = \mathbf{J}^{-1}\dot{\mathbf{p}} \text{ with } \mathbf{J}^{-1} = \mathbf{B}^{-1}\mathbf{A}$$

Thus:

$$\mathbf{J}^{-1} = \begin{bmatrix} (1/\eta_1)(\mathbf{c}_1 - \mathbf{b}_1)^T \\ (1/\eta_2)(\mathbf{c}_2 - \mathbf{b}_2)^T \\ (1/\eta_3)(\mathbf{c}_3 - \mathbf{b}_3)^T \end{bmatrix} \quad (5)$$

with $\eta_i = (\mathbf{c}_i - \mathbf{b}_i)^T \mathbf{n}_i$ for $i = 1, 2, 3$.

The matrix \mathbf{J}^{-1} is isotropic when $\mathbf{J}^{-1}\mathbf{J}^{-T} = \sigma^2 \mathbf{1}_{3 \times 3}$, where $\mathbf{1}_{3 \times 3}$ is the 3×3 identity matrix. Thus, we must have,

$$\frac{1}{\eta_1} \|\mathbf{c}_1 - \mathbf{b}_1\| = \frac{1}{\eta_2} \|\mathbf{c}_2 - \mathbf{b}_2\| = \frac{1}{\eta_3} \|\mathbf{c}_3 - \mathbf{b}_3\| \quad (6a)$$

$$(\mathbf{c}_1 - \mathbf{b}_1)^T (\mathbf{c}_2 - \mathbf{b}_2) = 0 \quad (6b)$$

$$(\mathbf{c}_2 - \mathbf{b}_2)^T (\mathbf{c}_3 - \mathbf{b}_3) = 0 \quad (6c)$$

$$(\mathbf{c}_3 - \mathbf{b}_3)^T (\mathbf{c}_1 - \mathbf{b}_1) = 0 \quad (6d)$$

Equation (6a) states that the orientation between the axis of the linear joint and the link $B_i C_i$ must be the same for each leg i . Equations (6b–d) mean that the links $B_i C_i$ must be orthogonal to each other. Figure 6 shows the isotropic configuration of the orthoglide. Note that the orthogonal arrangement of the linear joints is not a consequence of the isotropy condition, but it stems from the condition on the transmission factors at the isotropic configuration (see next section).

4.3 Manipulability Analysis

For a serial *PPP* machine tool, Fig. 7, a motion of an actuated joint yields the same motion of the tool (the transmission factors are equal to one). In the purpose on our study, this factor is calculated from linear joint to the end-effector.

For a parallel machine, these motions are generally not equivalent. When the mechanism is close to a parallel singularity, a small joint rate can generate a large velocity of the tool. This means that the positioning accuracy of the tool is lower in some directions for some configurations close to parallel singularities because the encoder resolution is amplified. In addition, a velocity amplification in one direction is equivalent to a loss of rigidity in this direction.

The manipulability ellipsoids of the Jacobian matrix of robotic manipulators was defined several years ago (Salisbury *et al.* (1982)). This concept has then been applied as a performance index to parallel manipulators (Kim (1997)). Note that, although the concept of manipulability is close to the concept of condition number, these two concepts do not provide the same information. The condition number quantifies the proximity to an isotropic configuration, *i.e.* where the manipulability ellipsoid is a sphere, or, in other words, where the transmission factors are the same in all the directions, but it does not inform about the value of the transmission factor.

The manipulability ellipsoid of \mathbf{J}^{-1} is used here for (i) justifying the orthogonal orientation of the linear joints and (ii) defining the joint limits of the orthoglide such that the transmission factors are bounded in the prescribed workspace.

We want the transmission factors to be equal to one at the isotropic configuration like for a *PPP* machine tool. This condition implies that the three terms of Eq. (6) must be equal to one:

$$\frac{1}{\eta_1} \|\mathbf{c}_1 - \mathbf{b}_1\| = \frac{1}{\eta_2} \|\mathbf{c}_2 - \mathbf{b}_2\| = \frac{1}{\eta_3} \|\mathbf{c}_3 - \mathbf{b}_3\| = 1 \quad (7)$$

which implies that $(\mathbf{b}_i - \mathbf{a}_i)$ and $(\mathbf{c}_i - \mathbf{b}_i)$ must be collinear for each i .

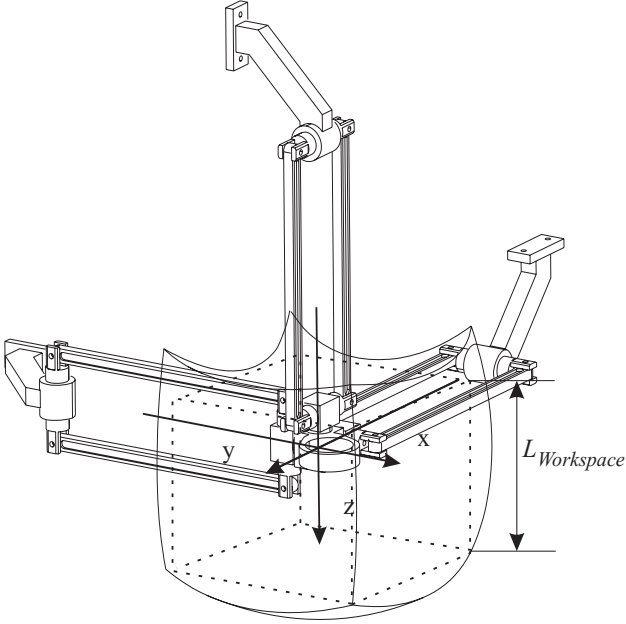


Figure 5: Cartesian workspace

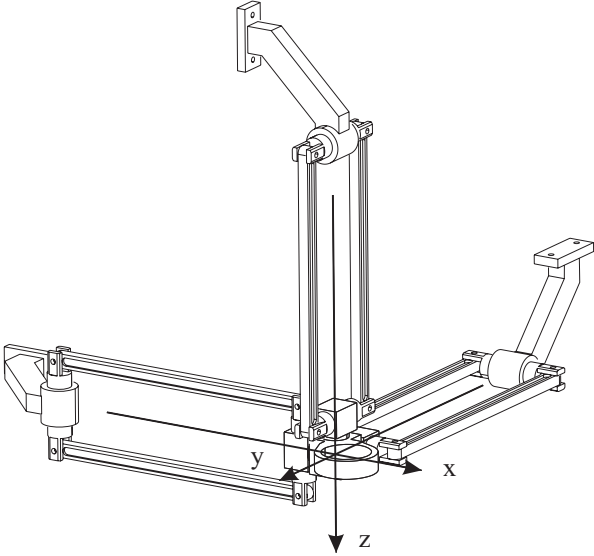


Figure 6: Isotropic configuration of the Orthoglide mechanism

Since, at this isotropic configuration, links B_iC_i are orthogonal, Eq. (7) implies that the links A_iB_i are orthogonal, *i.e.* the linear joints are orthogonal. For joint rates belonging to a unit ball, namely, $\|\dot{\rho}\| \leq 1$, the Cartesian velocities belong to an ellipsoid such that:

$$\dot{\mathbf{p}}^T (\mathbf{J}\mathbf{J}^T) \dot{\mathbf{p}} \leq 1$$

The eigenvectors of matrix $(\mathbf{J}\mathbf{J}^T)^{-1}$ define the direction of its principal axes of this ellipsoid and the square roots ξ_1 , ξ_2 and ξ_3 of the eigenvalues of $(\mathbf{J}\mathbf{J}^T)^{-1}$ are the lengths of the aforementioned principal axes. The velocity transmission factors in

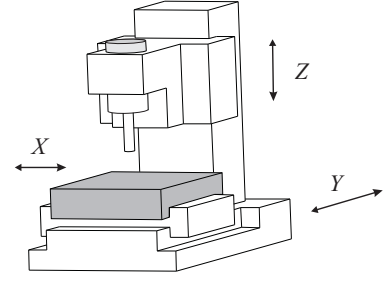


Figure 7: Typical industrial 3-axis PPP machine-tool

the directions of the principal axes are defined by $\psi_1 = 1/\xi_1$, $\psi_2 = 1/\xi_2$ and $\psi_3 = 1/\xi_3$. To limit the variations of this factor in the Cartesian workspace, we impose

$$\psi_{min} \leq \psi_i \leq \psi_{max} \quad (8)$$

throughout the workspace. This condition determines the link lengths and the linear joint limits. To simplify the problem, we set $\psi_{min} = 1/\psi_{max}$.

4.4 Design of the Orthoglide for a Prescribed Workspace

The aim of this section is to define the position of the fixed point A_i , the link lengths L and the linear actuator range $\Delta\rho$ with respect to the limits on the transmission factors defined in Eq. (8) and as a function of the size of the prescribed workspace $L_{Workspace}$.

Our process of optimization is divided into three steps.

1. First, we determine two points Q_1 and Q_2 in the prescribed cubic workspace such that if the transmission factor bounds are satisfied at these points, they are satisfied in all the prescribed workspace.
2. The points Q_1 and Q_2 are used to define the leg length L as function of the size of the prescribed cubic workspace.
3. Finally, the positions of the base points A_i and the linear actuator range $\Delta\rho$ are calculated such that the prescribed cubic workspace is fully included in the Cartesian workspace of the orthoglide.

Step 1: The transmission factors are equal to one at the isotropic configuration. These factors increase or decrease when the tool center point moves away from the isotropic configuration and they tend towards zero or infinity in the vicinity of the singularity surfaces. It turns out that the points Q_1 and Q_2 defined at the intersection of the workspace boundary with the axis $x = y = z$ (figure 8) are the closest ones to the singularity surfaces, as illustrated in figure 9 which shows on the same top view the orthoglide in the two parallel singular configurations of figures 3 and 4. Thus, we may postulate the intuitive result that if the prescribed bounds on the transmission factors are satisfied at

Q_1 and Q_2 , then these bounds are satisfied throughout the prescribed cubic workspace. Although we could not derive a simple formal proof, we have verified numerically that this result holds.

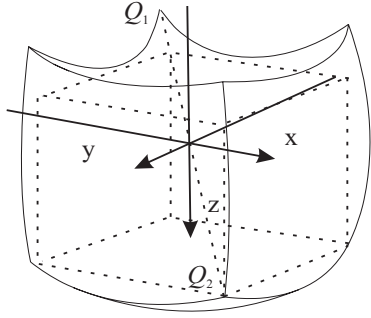


Figure 8: Points Q_1 and Q_2

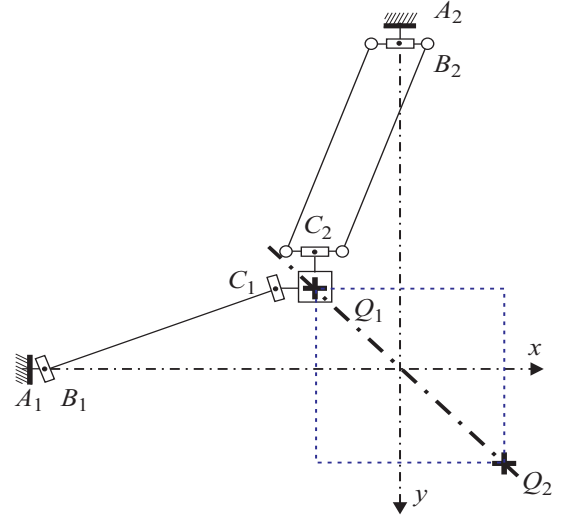


Figure 10: Q_1 configuration

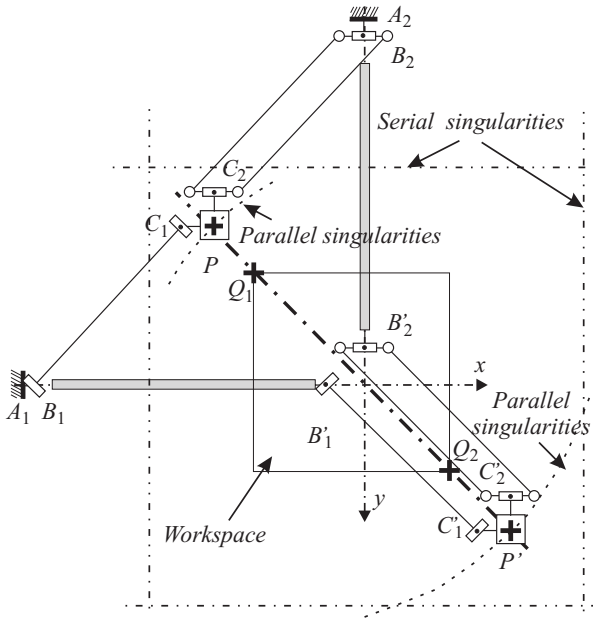


Figure 9: Points Q_1 and Q_2 and the singular configurations (top view)

Step 2: At the isotropic configuration, the angles θ_i and β_i are equal to zero by definition. When the tool center point P is at Q_1 , $\rho_1 = \rho_2 = \rho_3 = \rho_{min}$ (Fig. 10). When P is at Q_2 , $\rho_1 = \rho_2 = \rho_3 = \rho_{max}$ (Fig. 11).

We pose $\rho_{min} = 0$ for more simplicity.

On the axis (Q_1Q_2) , $\beta_1 = \beta_2 = \beta_3$ and $\theta_1 = \theta_2 = \theta_3$. We note,

$$\beta_1 = \beta_2 = \beta_3 = \beta \quad \text{and} \quad \theta_1 = \theta_2 = \theta_3 = \theta \quad (9)$$

Upon substitution of Eq. (9) into Eqs. (1a–c), the angle β can be

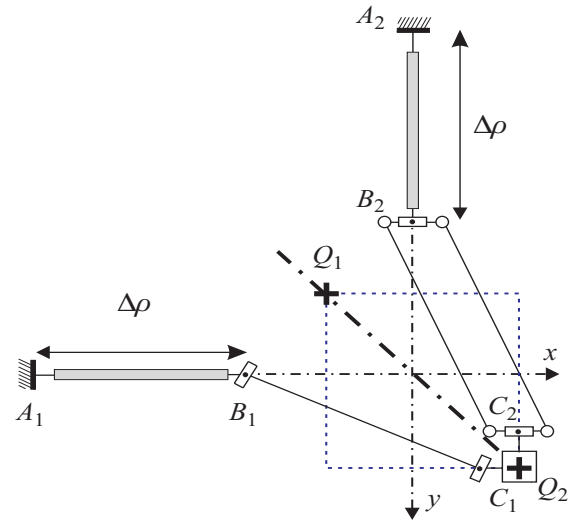


Figure 11: Q_2 configuration

written as a function of θ ,

$$\beta = -\arctan(\sin(\theta)) \quad (10)$$

Finally, by substituting Eq. (10) into Eq. (5), the inverse Jacobian matrix \mathbf{J}^{-1} can be simplified as follows

$$\mathbf{J}^{-1} = \begin{bmatrix} 1 & -\tan(\theta) & -\tan(\theta) \\ -\tan(\theta) & 1 & -\tan(\theta) \\ -\tan(\theta) & -\tan(\theta) & 1 \end{bmatrix}$$

Thus, the square roots of the eigenvalues of $(\mathbf{J}\mathbf{J}^T)^{-1}$ are,

$$\xi_1 = |2 \tan(\theta) - 1| \quad \text{and} \quad \xi_2 = \xi_3 = |\tan(\theta) + 1|$$

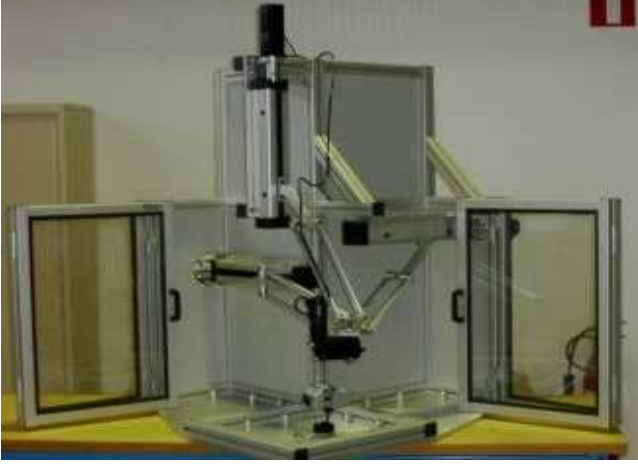


Figure 14: The orthoglide prototype

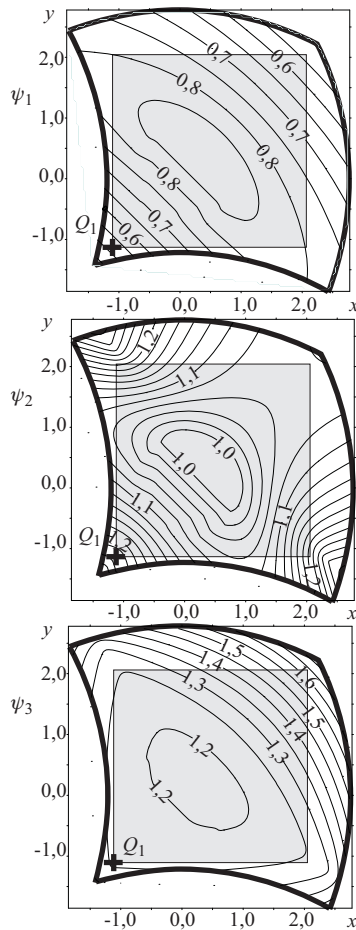


Figure 15: The three velocity transmission factors in a z -cross section of the Cartesian workspace passing through Q_1

5 Conclusions

Presented in this paper is a new kinematic structure of a PKM dedicated to machining applications: the Orthoglide. The main feature of this PKM design is its trade-off between the popular serial PPP architecture with homogeneous performances and the parallel kinematic architecture with good dynamic performances.

The workspace is simple, regular and free of singularities and self-collisions. The Jacobian matrix is isotropic at a point close to the center point of the workspace. Unlike most existing PKMs, the workspace is fairly regular and the performances are homogeneous in it. Thus, the entire workspace is really available for tool paths. In addition, the orthoglide is rather compact compared to most existing PKMs. A small-scale prototype of this mechanism is under construction at IRCCyN. First experiments with plastic parts will be conducted. The dynamic analysis has not been reported in this article. A rigid dynamic model has been proposed in (Guegan *et al.* (2002)) and an elastic dynamic model is now being developed with the software package Meccano.

Acknowledgments

The authors would like to acknowledge the financial support of Région Pays-de-Loire, Agence Nationale pour la Valorisation de la Recherche, and École des Mines de Nantes.

References

- Treib, T. and Zirn, O. "Similarity laws of serial and parallel manipulators for machine tools", Proc. Int. Seminar on Improving Machine Tool Performance, pp. 125–131, Vol. 1, 1998.
- Wenger, P. Gosselin, C. and Maille, B. "A Comparative Study of Serial and Parallel Mechanism Topologies for Machine Tools", Proc. PKM'99, Milano, pp. 23–32, 1999.
- Kim J., Park C., Kim J. and Park F.C., 1997, "Performance Analysis of Parallel Manipulator Architectures for CNC Machining Applications", Proc. IMECE Symp. On Machine Tools, Dallas.
- Wenger, P. Gosselin, C. and Chablat, D. "A Comparative Study of Parallel Kinematic Architectures for Machining Applications", Proc. Workshop on Computational Kinematics'2001, Seoul, Korea, pp. 249–258, 2001.
- Rehsteiner, F., Neugebauer, R., Spiewak, S. and Wieland, F., 1999, "Putting Parallel Kinematics Machines (PKM) to Productive Work", Annals of the CIRP, Vol. 48:1, pp. 345–350.
- Thusty, J., Ziegert, J. and Ridgeway, S., 1999, "Fundamental Comparison of the Use of Serial and Parallel Kinematics for Machine Tools", Annals of the CIRP, Vol. 48:1, pp. 351–356.
- Luh C-M., Adkins F. A., Haug E. J. and Qui C. C., 1996, "Working Capability Analysis of Stewart platforms", Transactions of ASME, pp. 220–227.

Merlet J-P., 1999, “Determination of 6D Workspace of Gough-Type Parallel Manipulator and Comparison between Different Geometries”, *The Int. Journal of Robotic Research*, Vol. 19, No. 9, pp. 902–916.

Golub, G. H. and Van Loan, C. F., *Matrix Computations*, The John Hopkins University Press, Baltimore, 1989.

Salisbury J-K. and Craig J-J., 1982, “Articulated Hands: Force Control and Kinematic Issues”, *The Int. J. Robotics Res.*, Vol. 1, No. 1, pp. 4–17.

Angeles J., 1997, *Fundamentals of Robotic Mechanical Systems*, Springer-Verlag.

Yoshikawa, T., “Manipulability of Robot Mechanisms”, 1985, *The Int. J. Robotics Res.*, Vol. 4, No. 2, pp. 3–9.

Wenger, P., and Chablat, D., 2000, “Kinematic Analysis of a new Parallel Machine Tool: the Orthoglide”, in Lenarčič, J. and Stanišić, M.M. (editors), *Advances in Robot Kinematic*, Kluwer Academic Publishers, June, pp. 305–314.

Chablat D. and Wenger P., 1998, “Working Modes and Aspects in Fully-Parallel Manipulator”, *IEEE Int. Conf. On Robotics and Automation*, pp. 1964–1969.

Guegan S. and Khalil W., 2002, “Dynamic Modeling of the Orthoglide”, to appear in *Advances in Robot Kinematic*, Kluwer Academic Publishers, June.

6 Appendix

To calculate the joint limits on θ and β , we solve the followings inequations, from the Eqs. 12,

$$|2 \tan(\theta) - 1| \leq \psi_{max} \quad (15a)$$

$$\frac{1}{|2 \tan(\theta) - 1|} \leq \psi_{max} \quad (15b)$$

Thus, we note,

$$f_1 = |2 \tan(\theta) - 1| \quad f_2 = 1/|2 \tan(\theta) - 1| \quad (16a)$$

Figure (16) shows f_1 and f_2 as function of θ along (Q_1Q_2) . The four roots of $f_1 = f_2$ in $[-\pi \pi]$ are,

$$s_1 = -\arctan\left(\frac{(1 + \sqrt{17})}{4}\right) \quad (17a)$$

$$s_2 = -\arctan(1/2) \quad (17b)$$

$$s_3 = 0 \quad (17c)$$

$$s_4 = \arctan\left(\frac{(-1 + \sqrt{17})}{4}\right) \quad (17d)$$

with

$$f_1(s_1) = (-3 + \sqrt{17})/4 \quad f_1(s_2) = 2 \quad (17e)$$

$$f_1(s_3) = 1 \quad f_1(s_4) = (3 + \sqrt{17})/4 \quad (17f)$$

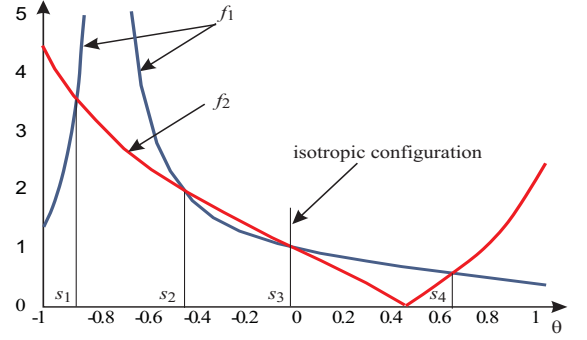


Figure 16: f_1 and f_2 as function of θ along (Q_1Q_2)

and

$$f_1(\theta) = 0 \quad \text{when} \quad \theta = \arctan(1/2) - \pi \quad (18a)$$

$$f_2(\theta) = 0 \quad \text{when} \quad \theta = \arctan(1/2) \quad (18b)$$

The isotropic configuration is located at the configuration where $\theta = \beta = 0$. The limits on θ and β are in the vicinity of this configuration. Along the axis (Q_1Q_2) , the angle θ is lower than 0 when it is close to Q_2 , and greater than 0 when it is close to Q_1 .

To find θ_{Q_1} , we study the functions f_1 and f_2 which are both decreasing on $[0 \arctan(1/2)]$. Thus, we have,

$$\theta_{Q_1} = \arctan\left(\frac{\psi_{max} - 1}{2\psi_{max}}\right) \quad (19a)$$

$$\beta_{Q_1} = -\arctan\left(\frac{\psi_{max} - 1}{\sqrt{5\psi_{max}^2 - 2\psi_{max} + 1}}\right) \quad (19b)$$

In the same way, to find θ_{Q_2} , we study the functions f_1 and f_2 on $[s_1 0]$. The three roots s_1 , s_2 and s_3 define two intervals. If $\psi_{max} \in [f_1(s_1) f_1(s_2)]$, we have,

$$\theta_{Q_2} = -\arctan\left(\frac{\psi_{max} - 1}{\psi_{max}}\right) \quad (20a)$$

$$\beta_{Q_2} = \arctan\left(\frac{\psi_{max} - 1}{\sqrt{2\psi_{max}^2 - 2\psi_{max} + 1}}\right) \quad (20b)$$

otherwise, if $\psi_{max} \in [f_1(s_2) f_1(s_3)]$,

$$\theta_{Q_2} = -\arctan\left(\frac{\psi_{max} - 1}{2}\right) \quad (20c)$$

$$\beta_{Q_2} = \arctan\left(\frac{\psi_{max} - 1}{\sqrt{\psi_{max}^2 - 2\psi_{max} + 5}}\right) \quad (20d)$$