



HAL
open science

Cyclic and ruled Lagrangian surfaces in complex Euclidean space

Henri Anciaux, Pascal Romon

► **To cite this version:**

Henri Anciaux, Pascal Romon. Cyclic and ruled Lagrangian surfaces in complex Euclidean space. Bulletin Brazilian Mathematical Society, 2009, 40 (3), pp.341-369. 10.1007/s00574-009-0015-y . hal-00137761v2

HAL Id: hal-00137761

<https://hal.science/hal-00137761v2>

Submitted on 15 Apr 2008

HAL is a multi-disciplinary open access archive for the deposit and dissemination of scientific research documents, whether they are published or not. The documents may come from teaching and research institutions in France or abroad, or from public or private research centers.

L'archive ouverte pluridisciplinaire **HAL**, est destinée au dépôt et à la diffusion de documents scientifiques de niveau recherche, publiés ou non, émanant des établissements d'enseignement et de recherche français ou étrangers, des laboratoires publics ou privés.

Cyclic and ruled Lagrangian surfaces in complex Euclidean space

Henri Annciaux and Pascal Romon

Abstract

We study those Lagrangian surfaces in complex Euclidean space which are foliated by circles or by straight lines. The former, which we call *cyclic*, come in three types, each one being described by means of, respectively, a planar curve, a Legendrian curve in the 3-sphere or a Legendrian curve in the anti-de Sitter 3-space. We describe ruled Lagrangian surfaces and characterize the cyclic and ruled Lagrangian surfaces which are solutions to the self-similar equation of the Mean Curvature Flow. Finally, we give a partial result in the case of Hamiltonian stationary cyclic surfaces.

Keywords: Lagrangian surfaces; circle foliation; Mean Curvature Flow; Hamiltonian Stationary
2000 MSC: 53D12 (Primary) 53C42 (Secondary)

Introduction

In this paper, we classify the Lagrangian surfaces of \mathbb{C}^2 which are foliated either by round circles (henceforth called *cyclic* surfaces) or by straight lines (*ruled* surfaces). This completes a former paper of the authors together with Idefonso Castro [ACR] in which all Lagrangian submanifolds of $\mathbb{R}^{2n} \simeq \mathbb{C}^n$, with $n \geq 3$, which are foliated by round $(n-1)$ -spheres were characterized. The reason for the lower bound on the dimension was the following: since the submanifold is Lagrangian, any spherical leaf must be isotropic; when the dimension of this leaf is at least two, it spans a linear space which is itself Lagrangian. This observation simplifies the structure of the problem, roughly speaking by reducing the underlying group structure from $SO(2n)$ to $U(n)$. However this reduction no longer holds in dimension two, see for instance the Lagrangian cylinder $\mathbb{S}^1 \times \mathcal{L}$ where \mathcal{L} is a real line of \mathbb{C} : this (Lagrangian) surface is foliated by circles which are contained in non-Lagrangian (actually complex) planes. Other examples are the Hopf tori studied by Pinkall in [P]. As expected the situation is richer in dimension two, and actually cyclic Lagrangian surfaces come in three families, each one being described by means of, respectively, a planar curve, a Legendrian curve in the 3-sphere or a Legendrian curve in the anti de Sitter 3-space (Theorems 1 and 2). In the following, they will be denoted as type I, II and III surfaces.

In Section 1 we classify the cyclic Lagrangian surfaces when all the centers of the circles coincide. We call those surfaces *centered* cyclic. In Section 2 we treat the general case which amounts to adding a convenient translation term. In Section 3 we apply this characterization to finding self-similar cyclic surfaces, that is those surfaces which are solutions of the following elliptic PDE:

$$H + \lambda X^\perp = 0,$$

where H denotes the mean curvature vector of the surface and X^\perp the normal component of its position vector. The case of positive (resp. negative) λ corresponds to the case of a self-shrinking (resp. self-expanding) soliton of the Mean Curvature Flow (see [A]). We show that a self-similar Lagrangian cyclic surface is either a centered surface of type I as described in [A] or the Cartesian product $\mathbb{S}^1(r) \times \Gamma$ of a circle $\mathbb{S}^1(r)$ with a planar self-shrinking curve Γ . Such curves have been studied in detail in [AL].

Section 4 is devoted to the Hamiltonian stationary equation. A Lagrangian surface is said to be *Hamiltonian stationary* if its area is critical for compactly supported Hamiltonian variations. Such a surface is characterized by the fact that its Lagrangian angle β is harmonic with respect to the induced metric (cf Section 4 for more details). We prove that both in types I and II cases, Hamiltonian stationary surfaces must be centered, and we describe them. The study of the type III appears to be extremely difficult to handle by manual computation, however we conjecture that Hamiltonian stationary type III surfaces are again centered. Examples of such surfaces are described explicitly in [CC].

Finally we give in the last Section a description of ruled Lagrangian surfaces (notably self-similar ones) using an analogous method, recovering more simply a known result from Blair [B].

Acknowledgment: the Authors wish to thank Ildefonso Castro for pointing out a better approach to type III surfaces due to Chen and himself [CC].

1 Centered cyclic Lagrangian surfaces

Let Σ a surface of \mathbb{R}^4 foliated by circles with common center located at the origin of \mathbb{R}^4 . Locally, Σ may be parametrized by the following immersion:

$$\begin{aligned} X : I \times \mathbb{R}/2\pi\mathbb{Z} &\rightarrow \mathbb{R}^4 \\ (s, t) &\mapsto r(s)(e_1(s) \cos t + e_2(s) \sin t), \end{aligned}$$

where $r(s)$ is a positive function and $(e_1(s), e_2(s))$ is an orthonormal basis of the plane containing our circle.

From now on we shall assume that Σ is Lagrangian with respect with some complex structure J . We will often identify \mathbb{R}^4 with \mathbb{C}^2 in such a way that J is the complex multiplication by i . Denote by $K := \langle e_1, J e_2 \rangle = -\langle e_1, J e_2 \rangle$ the *Kähler angle* of the plane $e_1 \wedge e_2$. Note that the vanishing of K means that $e_1 \wedge e_2$ is also Lagrangian. In this case the analysis done in [ACR] holds and

X takes the following form: $X(s, t) = r(s)e^{i\phi(s)}(\cos t, \sin t)$ making use of the above identification.

Denoting by subscripts the partial derivatives (the prime corresponding also to the derivative in s for functions of just one variable), the Lagrangian assumption is equivalent to $\langle X_s, JX_t \rangle = 0$. Since

$$X_s = r'(e_1 \cos t + e_2 \sin t) + r(e'_1 \cos t + e'_2 \sin t)$$

$$X_t = r(e_2 \cos t - e_1 \sin t),$$

we see that

$$\begin{aligned} \langle X_s, JX_t \rangle &= rr'(K \cos^2 t + K \sin^2 t) + r^2 (\cos^2 t \langle e'_1, Je_2 \rangle - \sin^2 t \langle e'_2, Je_1 \rangle) \\ &\quad + r^2 \cos t \sin t (\langle e'_2, Je_2 \rangle - \langle e'_1, Je_1 \rangle) \\ &= rr'K + \frac{r^2}{2} (\langle e'_1, Je_2 \rangle - \langle e'_2, Je_1 \rangle) \\ &\quad + \frac{r^2 \cos 2t}{2} (\langle e'_1, Je_2 \rangle + \langle e'_2, Je_1 \rangle) \\ &\quad + \frac{r^2 \sin 2t}{2} (\langle e'_2, Je_2 \rangle - \langle e'_1, Je_1 \rangle) \\ &= \frac{2rr'K + r^2K'}{2} + \frac{r^2 \cos 2t}{2} (\langle e'_1, Je_2 \rangle + \langle e'_2, Je_1 \rangle) \\ &\quad + \frac{r^2 \sin 2t}{2} (\langle e'_2, Je_2 \rangle - \langle e'_1, Je_1 \rangle) \end{aligned}$$

which holds for all t . The vanishing of the constant term implies that $r^2K = C$ for some real constant C . If this constant vanishes, we recover the case $K = 0$ mentioned above and treated in [ACR] (cf also [A]), so we may assume that $C \neq 0$. Thus r is completely determined by K , and both are non zero.

The two remaining conditions are

$$\langle e'_1, Je_2 \rangle = -\langle e'_2, Je_1 \rangle, \quad \langle e'_1, Je_1 \rangle = \langle e'_2, Je_2 \rangle. \quad (1)$$

In order to make sense of these, we will identify \mathbb{R}^4 with \mathbb{H} , in such a way that the complex structure is given by the left multiplication by the quaternion i . Then any element in $SO(4)$ can be written as $x \mapsto pxq^{-1}$ where p, q are two unit quaternions. Notice that right multiplication by q^{-1} corresponds exactly to the elements of $SU(2)$. Since $SO(4)$ acts transitively on pairs of orthonormal vectors, we may write e_1 and e_2 as the respective images of 1 and i , so that $e_1 = pq^{-1}$ and $e_2 = piq^{-1}$. Note that (p, q) is not uniquely determined; rather we have a gauge freedom by right multiplication by $e^{i\theta}$ on (p, q) . Finally, we may assume if needed that $q(0)$ takes any prescribed value, since we consider surfaces up to $U(2)$ congruence.

Then the conditions in (1) read as

$$\begin{cases} \langle p'q^{-1} - pq^{-1}q'q^{-1}, ipiq^{-1} \rangle + \langle p'iq^{-1} - piq^{-1}q'q^{-1}, ipq^{-1} \rangle = 0 \\ \langle p'q^{-1} - pq^{-1}q'q^{-1}, ipqq^{-1} \rangle - \langle p'iq^{-1} - piq^{-1}q'q^{-1}, ipiq^{-1} \rangle = 0 \end{cases}$$

so, multiplying on the left by p^{-1} and the right by q , and further by i on the left in the second bracket,

$$\begin{cases} \langle p^{-1}p' - q^{-1}q', p^{-1}ipi \rangle - \langle p^{-1}p' + iq^{-1}q'i, p^{-1}ipi \rangle = 0 \\ \langle p^{-1}p' - q^{-1}q', p^{-1}ip \rangle - \langle p^{-1}p' + iq^{-1}q'i, p^{-1}ip \rangle = 0 \end{cases}$$

that is

$$\begin{cases} \langle q^{-1}q' + iq^{-1}q'i, p^{-1}ipi \rangle = 0 \\ \langle q^{-1}q' + iq^{-1}q'i, p^{-1}ip \rangle = 0. \end{cases}$$

Splitting and multiplying left and right by i in the second bracket yields

$$\begin{cases} \langle q^{-1}q', p^{-1}ipi \rangle - \langle q^{-1}q', ip^{-1}ip \rangle = 0 \\ \langle q^{-1}q', p^{-1}ip \rangle + \langle q^{-1}q', ip^{-1}ipi \rangle = 0 \end{cases}$$

$$\begin{cases} \langle q^{-1}q', p^{-1}ipi - ip^{-1}ip \rangle = 0 \\ \langle q^{-1}q', p^{-1}ip + ip^{-1}ipi \rangle = 0 \end{cases}$$

Writing $p = p_0 + ip_1 + jp_2 + kp_3$ we have

$$u := p^{-1}ipi - ip^{-1}ip = 4(p_0p_2 + p_1p_3)j - 4(p_1p_2 - p_0p_3)k$$

and

$$v := p^{-1}ip + ip^{-1}ipi = -ui = 4(p_1p_2 - p_0p_3)j + 4(p_0p_2 + p_1p_3)k.$$

The two right-hand vectors u, v lie in $\text{Span}(j, k)$ and are either linearly independent (over \mathbb{R}) or both zero. So we have two cases:

- $u = v = 0$, i.e.

$$0 = (p_0p_2 + p_1p_3)^2 + (p_1p_2 - p_0p_3)^2 = (p_0^2 + p_1^2)(p_2^2 + p_3^2)$$

hence p lies in $\text{Span}(1, i)$ or $\text{Span}(j, k)$ and conditions in (1) hold. Gauging p we may assume that $p = 1$ or $p = j$, and the Kähler angle is then $K = -1$ or $K = +1$ respectively, so that the radius r remains constant (and we may as well assume $r = 1$). This case corresponds to Hopf surfaces [P], i.e. inverse images of a curve by the Hopf fibration $\mathbb{S}^3 \rightarrow \mathbb{S}^2$. After a possible change of variable in t (replacing t by $t + \varphi(s)$ for some function φ), we may assume that the curve $s \mapsto e_1(s)$ is Legendrian.

- u, v are independent vectors and span j, k , thus forcing $q^{-1}q'$ to lie in $\text{Span}(1, i) \cap \text{Im}\mathbb{H}$; using gauge action, we may assume that q is constant, and up to congruence write $q = 1$. Reverting to complex coordinates, $e_1 = p = \gamma_1 + \gamma_2j \simeq (\gamma_1, \gamma_2) \in \mathbb{S}^3 \subset \mathbb{C}^2$ and $e_2 = pi \simeq (i\gamma_1, -i\gamma_2)$, while $K = |\gamma_2|^2 - |\gamma_1|^2 \neq 0$. We may normalize, assuming that $K > 0$ (if $K < 0$ pick the opposite orientation on the surface) and set $(\alpha_1, \alpha_2) := \frac{1}{\sqrt{K}}(\gamma_1, \gamma_2)$, so that

$$X = \frac{\sqrt{C}}{\sqrt{K}}(\gamma_1(s)e^{it}, \gamma_2(s)e^{-it}) = \sqrt{C}(\alpha_1e^{it}, \alpha_2e^{-it})$$

with $|\alpha_1|^2 - |\alpha_2|^2 = -1$, i.e. (α_1, α_2) lies in \mathbb{H}_1^3 , the unit anti-De Sitter space. Again, up to a change in variable, we have a Legendrian curve for the indefinite metric in $\mathbb{C}^{1,1}$, i.e. $\langle \alpha'_1, i\alpha_1 \rangle - \langle \alpha'_2, i\alpha_2 \rangle = 0$ (see [CLU] or [CC]).

Summing up, we have proved the following

Theorem 1 *A centered cyclic Lagrangian surface may be locally parametrized, up to $U(2)$ congruence, by one the following immersions:*

Type I (*complex extensors*):

$$\begin{aligned} X : I \times \mathbb{R}/2\pi\mathbb{Z} &\rightarrow \mathbb{C}^2 \\ (s, t) &\mapsto r(s)e^{i\phi(s)}(\cos t, \sin t) \end{aligned}$$

Type II (*Hopf type*):

$$\begin{aligned} X : I \times \mathbb{R}/2\pi\mathbb{Z} &\rightarrow \mathbb{C}^2 \\ (s, t) &\mapsto ce^{it}(\gamma_1(s), \gamma_2(s)) \end{aligned}$$

where $\gamma = (\gamma_1, \gamma_2)$ is any Legendrian curve of \mathbb{S}^3 and c is a real constant,

Type III (*De Sitter type*)

$$\begin{aligned} X : I \times \mathbb{R}/2\pi\mathbb{Z} &\rightarrow \mathbb{C}^2 \\ (s, t) &\mapsto c(\alpha_1(s)e^{it}, \alpha_2(s)e^{-it}) \end{aligned}$$

where $\alpha = (\alpha_1, \alpha_2)$ is any Legendrian curve in the unit anti-De Sitter space \mathbb{H}_1^3 and c is a real constant.

Remark 1 *This analysis applies as well if we do not assume that X is an immersion but only has an isotropic image fibered by circles (we did not use the immersion hypothesis). So the same conclusion holds and will be used in the next Section.*

Remark 2 *Type I surfaces are a particular case of a class of Lagrangian immersions which has been first described in [C1] where they were called complex extensors.*

Remark 3 *In the type III case, it may happen that K is identically ± 1 . Then we fall back on type II with a Legendrian curve that actually reduces to a single point. The image of X is therefore a circle (lying in a complex plane).*

2 The general case

We now consider a surface Σ of \mathbb{R}^4 which is foliated by circles. Locally, Σ may be parametrized by the following immersion (identifying as usual \mathbb{R}^4 with \mathbb{C}^2):

$$Y : I \times \mathbb{R}/2\pi\mathbb{Z} \rightarrow \mathbb{C}^2 \\ (s, t) \mapsto X(s, t) + V(s),$$

where $V(s)$ is a \mathbb{C}^2 -valued function, and $X(s, t) = r(s)(e_1(s) \cos t + e_2(s) \sin t)$ is a centered surface as in the previous section. Note that we do not assume *a priori* that X is Lagrangian nor that it is always an immersion.

As we have $Y_t = X_t$ and $Y_s = X_s + V'$, the assumption that Y is Lagrangian leads to:

$$0 = \langle Y_s, JY_t \rangle = \langle X_s, JX_t \rangle + \langle V', JX_t \rangle \\ = \langle X_s, JX_t \rangle + r \cos t \langle V', Je_2 \rangle - r \sin t \langle V', e_1 \rangle$$

Recall from the previous section that $\langle X_s, JX_t \rangle$ contains only terms in $\cos 2t$ and $\sin 2t$ and a term independent from t . Thus the immersion Y is Lagrangian if and only if: (i) X is cyclic isotropic (cf Remark 1), and (ii) V' belongs to the symplectic orthogonal of $\text{Span}(e_1, e_2)$. Using Theorem 1 we infer:

- for type I surfaces, $\text{Span}(e_1, e_2) = \text{Span}(e^{i\phi}(1, 0), e^{i\phi}(0, 1))$ is Lagrangian, so its symplectic orthogonal is itself; hence $V'(s) = e^{i\phi(s)}(W_1(s), W_2(s))$ for some real-valued functions W_1, W_2 ;
- for type II surfaces, $\text{Span}(e_1, e_2)$ is a complex line, so its symplectic orthogonal is the same as its Riemannian orthogonal, which is

$$\text{Span}((\bar{\gamma}_2, -\bar{\gamma}_1), (i\bar{\gamma}_2, -i\bar{\gamma}_1));$$

V' is determined analogously;

- for type III surfaces, one can check that a basis of the symplectic orthogonal is (f_1, f_2) , where $f_1 = (|\alpha_2|^2, \alpha_1\alpha_2)$, $f_2 = (i|\alpha_2|^2, -i\alpha_1\alpha_2)$.

So we conclude this section by the

Theorem 2 *A cyclic Lagrangian surface may be locally parametrized, up to $U(2)$ congruence, by one of the following immersions:*

Type I

$$Y : I \times \mathbb{R}/2\pi\mathbb{Z} \rightarrow \mathbb{C}^2 \\ (s, t) \mapsto r(s)e^{i\phi(s)}(\cos t, \sin t) + \int_{s_0}^s e^{i\phi(u)}(W_1(u), W_2(u))du$$

where W_1, W_2 are real valued; in particular when ϕ is constant, Y stays within the Lagrangian plane $\text{Span}(e^{i\phi}(1, 0), e^{i\phi}(0, 1))$;

Type II

$$Y : I \times \mathbb{R}/2\pi\mathbb{Z} \rightarrow \mathbb{C}^2$$

$$(s, t) \mapsto c(\gamma_1(s)e^{it}, \gamma_2(s)e^{it}) + \int_{s_0}^s W(u)(\tilde{\gamma}_2(u), -\tilde{\gamma}_1(u))du$$

where $\gamma = (\gamma_1, \gamma_2)$ is any Legendrian curve of \mathbb{S}^3 , c is a real constant and W a complex valued function; in particular if γ is constant, then up to congruence, we may assume $\gamma = (1, 0)$ and the immersion becomes $Y(s, t) = (ce^{it}, V_2(s))$. Thus the immersed surface is a Cartesian product of a circle with a planar curve;

Type III

$$Y : I \times \mathbb{R}/2\pi\mathbb{Z} \rightarrow \mathbb{C}^2$$

$$(s, t) \mapsto c(\alpha_1(s)e^{it}, \alpha_2(s)e^{-it}) + \int_{s_0}^s (W|\alpha_2|^2, \bar{W}\alpha_1\alpha_2)du$$

where $\alpha = (\alpha_1, \alpha_2)$ is any Legendrian curve in the unit anti-De Sitter space \mathbb{H}_1^3 , c is a real constant and W a complex valued function.

Remark 4 In the type II case, if the curve (γ_1, γ_2) is in addition regular, we may assume that it is parametrized by arc length and another basis of the orthogonal space to $\text{Span}(e_1, e_2)$ is $((\gamma'_1, \gamma'_2), (i\gamma'_1, i\gamma'_2))$, so that the immersion may take the alternative form:

$$Y(s, t) = (\gamma_1(s)e^{it}, \gamma_2(s)e^{it}) + \int_{s_0}^s W(u)(\gamma'_1(u), \gamma'_2(u))du.$$

This is a particular case of Lagrangian immersions which have been recently described in [C2]. This alternative formula will also be useful in the next sections.

3 Application to the self-similar equation

In this section we study the self-similar equation in the case of cyclic Lagrangian surfaces and prove the following:

Theorem 3 *A Lagrangian cyclic surface of \mathbb{C}^2 which is a soliton of the mean curvature flow, i.e. a solution to the self-similar equation*

$$H + \lambda X^\perp = 0,$$

for some non-vanishing number λ is locally congruent to an equivariant example described in [A] (in the terminology of the present article, a centered surface of type I) or to the Cartesian product $\mathbb{S}^1(r) \times \Gamma$ of some circle $\mathbb{S}^1(1)$ with a planar self-shrinking curve Γ . Such curves have been studied in detail in [AL].

Proof. The proof deals with the three cyclic cases separately: we first prove that a self-similar surface of type I must be centered, thus one of the examples of [A]; then we show that there no self-similar surfaces of type II except the Clifford torus $\mathbb{S}^1 \times \mathbb{S}^1$ (which is also a type I surface) and the products of curves. Finally we see that there are no self-similar surfaces of type III at all.

Case 1: type I surfaces.

A type I surface is parametrized by an immersion of the form:

$$\begin{aligned} X : I \times \mathbb{R}/2\pi\mathbb{Z} &\rightarrow \mathbb{C}^2 \\ (s, t) &\mapsto r(s)e^{i\phi(s)}(\cos t, \sin t) + \int_{s_0}^s e^{i\phi(u)}(W_1(u), W_2(u))du, \end{aligned}$$

where $r(s) > 0$. Following [ACR], we shall use the following notations: $\gamma(s) = r(s)e^{i\phi(s)}$, and, assuming that γ is parametrized by arc length, we shall also denote $\gamma'(s) = e^{i\theta(s)}$.

We start computing the first derivatives of the immersion:

$$X_s = \gamma'(\cos t, \sin t) + e^{i\phi}(W_1, W_2), \quad X_t = \gamma(-\sin t, \cos t),$$

from which we deduce the expression of the induced metric:

$$E = |X_s|^2 = 1 + |W|^2 + 2 \cos(\theta - \phi)(W_1 \cos t + W_2 \sin t),$$

$$F = \langle X_s, X_t \rangle = r \cos(\theta - \phi)(W_2 \cos t - W_1 \sin t), \quad G = |X_t|^2 = r^2,$$

and a basis of the normal space to the surface:

$$N_t = i\gamma(-\sin t, \cos t), \quad N_s = i\gamma'(\cos t, \sin t) + ie^{i\phi}(W_1, W_2).$$

We now compute the second derivatives of the immersion, in order to calculate the mean curvature vector:

$$X_{ss} = \gamma''(\cos t, \sin t) + i\phi' e^{i\phi}(W_1, W_2),$$

$$X_{st} = \gamma'(-\sin t, \cos t), \quad X_{tt} = \gamma(-\cos t, -\sin t).$$

This implies in particular that:

$$\langle X_{ss}, N_t \rangle = (W_2 \cos t - W_1 \sin t) \sin(\theta - \phi),$$

$$\langle X_{tt}, N_t \rangle = 0, \quad \langle X_{st}, N_t \rangle = r \sin(\theta - \phi).$$

On the other hand, we have:

$$\langle X, N_t \rangle = a \cos t + b \sin t,$$

where $a := \langle i\gamma, \int_{s_0}^s W_1(u)e^{i\phi(u)} du \rangle$ and $b := \langle i\gamma, \int_{s_0}^s W_2(u)e^{i\phi(u)} du \rangle$.

We now assume that the immersion X is self-similar, so there exists a non-vanishing real number λ such that:

$$\langle H, N_t \rangle + \lambda \langle X, N_t \rangle = 0,$$

which is equivalent to

$$\langle X_{ss}, N_t \rangle G + \langle X_{tt}, N_t \rangle E - 2\langle X_{st}, N_t \rangle F = -2\lambda(EG - F^2)\langle X, N_t \rangle.$$

In the latter expression, the left hand side term is linear in $\cos t$ and $\sin t$ and the right hand side term is a polynomial of order 3. Linearizing the latter, we easily see that the coefficient of $\cos 2t$ is $aW_2 + bW_1$ and the one of $\sin 2t$ is $aW_1 - bW_2$. So either W_1 and W_2 vanish, or a and b vanish. We are going to show that actually if a and b vanish, then so do W_1 and W_2 .

We first write

$$\begin{aligned} a &= \langle i\gamma, \int_{s_0}^s W_1(u)e^{i\phi(u)} \rangle = r \langle ie^{i\phi}, \int_{s_0}^s W_1(u)e^{i\phi(u)} du \rangle \\ &= r \left(-\sin \phi \left(\int_{s_0}^s W_1(u) \cos \phi(u) du \right) + \cos \phi \left(\int_{s_0}^s W_1(u) \sin \phi(u) du \right) \right) = 0. \end{aligned}$$

Thus the derivative of a/r with respect to s must vanish, which yields:

$$\begin{aligned} \phi' \left(-\cos \phi \left(\int_{s_0}^s W_1(u) \cos \phi(u) du \right) - \sin \phi \left(\int_{s_0}^s W_1(u) \sin \phi(u) du \right) \right) \\ + W_1(s)(-\sin \phi \cos \phi + \cos \phi \sin \phi) = 0. \end{aligned}$$

Now either ϕ is (locally) constant, the curve γ is a straight line passing through the origin and the image of the immersion X is a piece of a plane (cf Example 2, page 5 of [ACR]), or one can find points around which ϕ' does not vanish (locally again). In the latter case we get the following linear system:

$$\begin{cases} -\sin \phi \left(\int_{s_0}^s W_1(u) \cos \phi(u) du \right) + \cos \phi \left(\int_{s_0}^s W_1(u) \sin \phi(u) du \right) = 0 \\ -\cos \phi \left(\int_{s_0}^s W_1(u) \cos \phi(u) du \right) - \sin \phi \left(\int_{s_0}^s W_1(u) \sin \phi(u) du \right) = 0 \end{cases}$$

It follows that $\int_{s_0}^s W_1(u) \cos \phi(u) du$ and $\int_{s_0}^s W_1(u) \sin \phi(u) du$ must vanish except on an isolated set of points of I , which in turn implies the vanishing of W_1 . Analogously it can be shown that W_2 vanishes as well, so finally the surface must be centered. Lagrangian, self-similar, centered surfaces have been described in detail in [A]. We only recall here that such surfaces are obtained from planar curves γ which are solutions of the following equation:

$$k = \langle \gamma, N \rangle \left(\frac{1}{|\gamma|^2} - \lambda \right),$$

where k is the curvature of γ and N its unit normal vector. This equation admits a countable family of closed solutions which is parametrised by two relatively prime numbers p and q subject to the condition $p/q \in (1/4, 1/2)$; p is the winding number of the curve and q is the number of maxima of its curvature. Except for the circles, none of these curves is embedded.

Case 2: type II surfaces.

As our discussion is local, we consider the two following cases: either the Legendrian curve γ is regular, or it reduces to a single point, and then the surface is a product of a circle with some plane curve. In the first case, the surface may be parametrized by an immersion of the form (cf Remark 4):

$$\begin{aligned} X : I \times \mathbb{R}/2\pi\mathbb{Z} &\rightarrow \mathbb{C}^2 \\ (s, t) &\mapsto c(\gamma_1(s)e^{it}, \gamma_2(s)e^{it}) + \int_{s_0}^s W(u)(\gamma'_1, \gamma'_2)du \end{aligned}$$

where $(\gamma_1(s), \gamma_2(s))$ is some unit speed Legendrian curve of \mathbb{S}^3 . Without loss of generality we fix $c = 1$. We start computing the first derivatives of the immersion:

$$X_s = (\gamma'_1 e^{it}, \gamma'_2 e^{it}) + W(\gamma'_1, \gamma'_2), \quad X_t = (i\gamma_1 e^{it}, i\gamma_2 e^{it}),$$

from which we deduce the expression of the induced metric:

$$E = |X_s|^2 = 1 + |W|^2 + 2\langle W, e^{it} \rangle, \quad F = \langle X_s, X_t \rangle = 0, \quad G = |X_t|^2 = 1,$$

and a basis of the normal space to the surface:

$$N_s = (i\gamma'_1 e^{it}, i\gamma'_2 e^{it}) + W(i\gamma'_1, i\gamma'_2), \quad N_t = (-\gamma_1 e^{it}, -\gamma_2 e^{it}).$$

We now compute the second derivatives of the immersion, in order to calculate the mean curvature vector:

$$\begin{aligned} X_{ss} &= (\gamma''_1 e^{it}, \gamma''_2 e^{it}) + W(\gamma''_1, \gamma''_2) + W'(\gamma'_1, \gamma'_2), \\ X_{st} &= (i\gamma'_1 e^{it}, i\gamma'_2 e^{it}), \quad X_{tt} = (-\gamma_1 e^{it}, -\gamma_2 e^{it}). \end{aligned}$$

We first notice that

$$\langle X, N_t \rangle = -1 + a \cos t + b \sin t,$$

where a and b depend only on the variable s .

On the other hand,

$$\begin{aligned} 2\langle H, N_t \rangle &= \frac{\langle X_{ss}, N_t \rangle}{E} + \frac{\langle X_{tt}, N_t \rangle}{G} = \frac{\langle X_{st}, N_s \rangle}{E} + \frac{\langle X_{tt}, N_t \rangle}{G} \\ &= \frac{1 + \langle W, e^{it} \rangle}{1 + |W|^2 + 2\langle W, e^{it} \rangle} + 1 = \frac{2 + |W|^2 + 3\langle W, e^{it} \rangle}{1 + |W|^2 + 2\langle W, e^{it} \rangle}. \end{aligned}$$

Thus the equation $\langle H, N_t \rangle + \lambda \langle X, N_t \rangle = 0$ holds for some non-vanishing constant λ if and only if a and b vanish and $|W| = 1$ or $W = 0$. In particular, $\langle X, N_t \rangle = -1$.

We leave to the reader the easy task to check that if W vanishes, the immersion is self-similar if and only if $\langle \gamma'', J\gamma' \rangle$ vanishes, that is the curve γ has vanishing curvature and thus is a great circle. The corresponding Lagrangian

surface is the Clifford torus $\frac{1}{\sqrt{2}}\mathbb{S}^1 \times \frac{1}{\sqrt{2}}\mathbb{S}^1$. So we assume in the remainder that $|W| = 1$. In particular, we may write $W = e^{i\phi}$ and $W' = i\phi' e^{i\phi}$, where ϕ is some real function of the variable s .

We want to look at the other scalar equation $\langle H, N_s \rangle + \lambda \langle X, N_s \rangle = 0$, so we compute

$$\begin{aligned} \langle X_{ss}, N_s \rangle &= \langle \gamma'', J\gamma' \rangle (1 + |W|^2) + \langle iW, W' \rangle + 2\langle W, e^{-it} \rangle \langle \gamma'', J\gamma' \rangle + \langle W', e^{it} \rangle, \\ \langle X_{tt}, N_s \rangle &= 0. \end{aligned}$$

Hence we get

$$\begin{aligned} 2\langle H, N_s \rangle &= \frac{\langle X_{ss}, N_s \rangle}{E} + \frac{\langle X_{tt}, N_s \rangle}{G} = \frac{\langle X_{ss}, N_s \rangle}{1 + |W|^2 + 2\langle W, e^{it} \rangle} + 0 \\ &= \frac{\langle \gamma'', J\gamma' \rangle (1 + |W|^2) + \langle iW, W' \rangle + 2\langle W, e^{-it} \rangle \langle \gamma'', J\gamma' \rangle + \langle W', e^{it} \rangle}{1 + |W|^2 + 2\langle W, e^{it} \rangle} \\ &= \frac{2\langle \gamma'', J\gamma' \rangle + \phi' + 2\cos(\phi + t)\langle \gamma'', J\gamma' \rangle - \phi' \sin(\phi - t)}{2 + 2\cos(\phi - t)} \\ &= \frac{2\langle \gamma'', J\gamma' \rangle + \phi' + (2\langle \gamma'', J\gamma' \rangle \cos \phi - \phi' \sin \phi) \cos t}{2(1 + \cos \phi \cos t + \sin \phi \sin t)} \\ &\quad + \frac{(-2\langle \gamma'', J\gamma' \rangle \sin \phi + \phi' \cos \phi) \sin t}{2(1 + \cos \phi \cos t + \sin \phi \sin t)} \end{aligned}$$

On the other hand, it is easy to see that $\langle X, N_s \rangle$ takes the form $a \cos t + b \sin t + c$, where a , b and c depend on the variable s . This forces $\langle H, N_s \rangle$ to take a simpler form and implies that

$$\frac{2\langle \gamma'', J\gamma' \rangle + \phi'}{2} = \frac{2\langle \gamma'', J\gamma' \rangle \cos \phi - \phi' \sin \phi}{2 \cos \phi} = \frac{-2\langle \gamma'', J\gamma' \rangle \sin \phi + \phi' \cos \phi}{2 \sin \phi}$$

In particular we have $\phi' = -\phi' \tan \phi$, which implies that ϕ is constant. It follows that W is constant as well, so $\langle \gamma'', J\gamma' \rangle$ vanishes and the curve γ has vanishing curvature, so it is a great circle of the unit sphere. There is no loss of generality to assume that $\gamma(s) = \frac{1}{\sqrt{2}}(e^{is}, e^{-is})$. Now the immersion takes the following, explicit form:

$$X(s, t) = \frac{1}{\sqrt{2}}(e^{i(s+t)}, e^{i(-s+t)}) + \frac{1}{\sqrt{2}}(-ie^{i(\phi+s)}, ie^{i(\phi-s)}).$$

But in this case it is easy to check $\langle X, N_t \rangle = -1$ does not hold, so we conclude that there is no self-similar type II surface with a regular curve γ and non-vanishing W .

It remains to treat the case of a Cartesian product $\mathbb{S}^1(r) \times \Gamma$ of a circle with an arbitrary curve Γ . It is straightforward that such a product is self-similar if and only if both curves are solutions of the equation

$$k + \lambda \langle X, N \rangle = 0$$

for the same λ . A circle of radius r is trivially self-similar for $\lambda = r^{-2}$. The other self-similar curves with positive λ (self-shrinking curves) have been described in [AL]. Except for the circles, none of them is embedded.

Case 3: type III surfaces.

A type III surface is parametrized by an immersion of the form:

$$\begin{aligned} X : I \times \mathbb{R}/2\pi\mathbb{Z} &\rightarrow \mathbb{R}^4 \\ (s, t) &\mapsto c(\alpha_1(s)e^{it}, \alpha_2(s)e^{-it}) + \int_{s_0}^s (W|\alpha_2|^2, \bar{W}\alpha_1\alpha_2)du, \end{aligned}$$

where (α_1, α_2) is a Legendrian curve of \mathbb{H}_1^3 , in particular we may assume that

$$|\alpha_1'|^2 - |\alpha_2'|^2 = 1 \quad \langle \alpha_1', i\alpha \rangle - \langle \alpha_2', i\alpha_2 \rangle = 0.$$

Observe that this implies the following identity (cf [CC]): $|\alpha_1| = |\alpha_2'|$. Again, without loss of generality we fix $c = 1$.

We start computing the first derivatives of the immersion:

$$X_s = (\alpha_1'e^{it}, \alpha_2'e^{-it}) + (W|\alpha_2|^2, \bar{W}\alpha_1\alpha_2), \quad X_t = (i\alpha_1e^{it}, -i\alpha_2e^{-it}),$$

from which we deduce the expression of the induced metric:

$$E = 1 + 2|\alpha_1|^2 + |W|^2(1 + |\alpha_1|^2)(1 + 2|\alpha_1|^2) + |\alpha_2|^2 \langle \alpha_1' \bar{\alpha}_1, W e^{-it} \rangle + |\alpha_1|^2 \langle \alpha_2' \bar{\alpha}_2, \bar{W} e^{it} \rangle,$$

$$F = -2(1 + |\alpha_1|^2)(\text{Im}(\alpha_1 \bar{W}) \cos t + \text{Re}(\alpha_1 \bar{W}) \sin t),$$

$$G = 1 + 2|\alpha_1|^2,$$

and a basis of the normal space to the surface:

$$N_s = (i\alpha_1'e^{it}, i\alpha_2'e^{-it}) + (iW|\alpha_2|^2, i\bar{W}\alpha_1\alpha_2),$$

$$N_t = (-\alpha_1e^{it}, \alpha_2e^{-it}).$$

We now compute the second derivatives of the immersion:

$$X_{ss} = (\alpha_1''e^{it}, \alpha_2''e^{-it}) + \frac{d}{ds}(W|\alpha_2|^2, \bar{W}\alpha_1\alpha_2),$$

$$X_{st} = (i\alpha_1'e^{it}, -i\alpha_2'e^{-it}), \quad X_{tt} = (-\alpha_1e^{it}, -\alpha_2e^{-it});$$

and some coefficients of the second fundamental form:

$$\langle X_{tt}, N_t \rangle = |\alpha_1|^2 - |\alpha_2|^2 = -1, \quad \langle X_{st}, N_t \rangle = 2\langle i\alpha_1', \alpha_1 \rangle;$$

Moreover it is easy to see that the coefficient $\langle X_{ss}, N_t \rangle$ is an affine function of $\cos t$ and $\sin t$.

On the other hand, we have

$$\langle X, N_t \rangle = 1 + a \cos t + b \sin t,$$

where a and b depend only on the variable s .

We now assume that $\langle H, N_t \rangle + \lambda \langle X, N_t \rangle = 0$ holds for some non-vanishing constant λ ; this implies

$$G\langle X_{ss}, N_t \rangle + E\langle X_{tt}, N_t \rangle - 2F\langle X_{st}, N_t \rangle = -\lambda(1 + a \cos t + b \sin t)(EG - F^2).$$

In the latter expression, the left hand side term is linear in $\cos t$ and $\sin t$ and the right hand side is a polynomial of degree 3. Linearizing the latter and introducing the notation $F = \tilde{a} \cos t + \tilde{b} \sin t$, we easily see that the coefficient of $\cos 3t$ is (up to a multiplicative constant) $a\tilde{a}^2 - 2b\tilde{a}\tilde{b}$ and the one of $\sin 3t$ is $2a\tilde{a}\tilde{b} - b\tilde{b}^2$. Thus we get the following system:

$$\begin{cases} a\tilde{a}^2 - 2b\tilde{a}\tilde{b} & = & 0 \\ 2a\tilde{a}\tilde{b} - b\tilde{b}^2 & = & 0 \end{cases}$$

This implies that either \tilde{a} and \tilde{b} vanish, or a and b vanish. However, in the latter case, the coefficient of $\cos 2t$ is (up to a multiplicative constant) $\tilde{a}^2 + \tilde{b}^2$ and the one of $\sin 2t$ is $2\tilde{a}\tilde{b}$ thus again \tilde{a} and \tilde{b} must vanish. We conclude by observing that

$$\tilde{b} + i\tilde{a} = -2(1 + |\alpha_1|^2)\alpha_1\bar{W},$$

so either α_1 or W vanishes. In the first case, as the discussion is local we may assume that α_1 vanishes identically, and the immersion takes the form

$$Y(s, t) = (V_1(s), \alpha_2 e^{-it}),$$

so the immersed surface is a product of curves; this case was already treated in the former section (type II surfaces).

To complete the proof it remains to show that a centered type III surface cannot be self-similar. We shall use the following result which can be found in [CC] (Proposition 2.1, page 3 and Corollary 3.5, page 9) and that we state here in accordance to our own notations:

Proposition 1 ([CC]) *Let $\gamma = (\gamma_1, \gamma_2)$ be unit speed Legendrian curve in \mathbb{S}^3 and $\alpha = (\alpha_1, \alpha_2)$ a unit speed Legendrian curve in \mathbb{H}_1^3 .*

Then the following immersion

$$\begin{aligned} X : I_1 \times I_2 &\rightarrow \mathbb{C}^2 \\ (s, t) &\mapsto (\alpha_1(s)\gamma_1(t), \alpha_2(s)\gamma_2(t)), \end{aligned}$$

is conformal and Lagrangian; moreover, its mean curvature vector is given by

$$H = e^{-2u}(k_\alpha JX_s + k_\gamma JX_t),$$

where e^{-2u} is the conformal factor and k_α and k_γ are the curvature functions of α and γ respectively.

By taking $\gamma(t) = (\frac{1}{\sqrt{2}}e^{it}, \frac{1}{\sqrt{2}}e^{-it})$ in the immersion above, we recover exactly a centered type III immersion. In particular, γ is a great circle of \mathbb{S}^3 and has vanishing curvature. This implies that $\langle H, JX_t \rangle$ vanishes. On the other hand, we calculate

$$\langle X, JX_t \rangle = \frac{1}{2} \langle (\alpha_1 e^{it}, \alpha_2 e^{-it}), (-\alpha_1 e^{it}, \alpha_2 e^{-it}) \rangle = \frac{1}{2} (-|\alpha_1|^2 + |\alpha_2|^2) = \frac{1}{2}.$$

So we deduce that this immersion X cannot be solution of the self-similar equation $H + \lambda X^\perp = 0$.

4 Application to the Hamiltonian stationary equation

In this section, we study the Hamiltonian stationary equation. We first recall that to a Lagrangian surface Σ is attached the *Lagrangian angle function* which is defined by the formula

$$\det_{\mathbb{C}}(e_1, e_2) = e^{i\beta},$$

where (e_1, e_2) is a (local) orthonormal tangent frame Σ (and thus a Hermitian frame of \mathbb{C}^2). Next the surface Σ is said to be *Hamiltonian stationary* if it is a critical point of the area with respect to Hamiltonian variations, i.e. variations generated by vector fields V such that $V \lrcorner \omega$ is exact. The Euler–Lagrange equation of this variational problem is

$$\Delta\beta = 0.$$

In other words, a Lagrangian surface is Hamiltonian stationary if and only if its Lagrangian angle is harmonic with respect to the induced metric.

In this section, we shall characterize Hamiltonian stationary type I and type II surfaces. The situation is somewhat similar to the self-similar case treated in the previous section: there are examples of non-trivial Hamiltonian stationary centered type I surfaces, which are described in Subsection 4.1; next we show in Subsection 4.2 that there are no Hamiltonian stationary type I surfaces which are not centered. Finally, we prove in Subsection 4.3 that the only Hamiltonian stationary type II surfaces are Cartesian products of circles. Similar calculations can be pursued in the type III case, however the dependency of the translation term on the Legendrian curve α lying in \mathbb{H}_1^3 makes explicit computations rapidly too complicated. We conjecture nonetheless that Hamiltonian stationary type III surfaces are centered. Finally we point out that those have been described explicitly in [CC], Section 4.3, page 13: a centered type III surface is Hamiltonian stationary if and only if the curvature of the generating curve α is an affine function of its arclength parameter.

4.1 The centered type I case

We consider an immersion of a centered type I surface, as in Section 1:

$$\begin{aligned} X : I \times \mathbb{R}/2\pi\mathbb{Z} &\rightarrow \mathbb{C}^2 \\ (s, t) &\mapsto r(s)e^{i\phi(s)}(\cos t, \sin t) \end{aligned}$$

where the planar curve $\gamma(s) = r(s)e^{i\phi(s)}$ is assumed to be parametrized by arc length. It follows that there exists $\theta(s)$ such that $\gamma'(s) = e^{i\theta(s)}$. Introducing the variable $\alpha = \theta - \phi$, a straightforward computation (cf [ACR]) yields that the induced metric of the immersion is

$$g = \begin{pmatrix} 1 & 0 \\ 0 & r^2 \end{pmatrix}$$

and its Lagrangian angle function is $\beta = \theta + \phi = \alpha + 2\phi$; it follows that

$$\begin{aligned} \Delta\beta = 0 &\Leftrightarrow \partial_s(g^{11}\sqrt{\det g}\beta_s) = 0 \\ &\Leftrightarrow r(\alpha' + 2\phi') = C, \end{aligned}$$

where C is some real constant. So we are left with the following differential system

$$\begin{cases} r' &= \cos \alpha \\ \alpha' &= \frac{C - 2\sin \alpha}{r} \end{cases}$$

which admits a first integral:

$$E(r, \alpha) = r^2(C - 2\sin \alpha)$$

First case: $|C| > 2$. Here the trajectories are bounded in the variable r since

$$r = \sqrt{\frac{E}{C - 2\sin \alpha}}.$$

therefore the curves γ are also bounded. In order to know whether such curves are closed, we calculate the variation of the angle of the curve with respect to the origin along a period of the variable α :

$$\Phi(C) = \int \frac{\sin \alpha}{r} ds = \int_0^{2\pi} \frac{\sin \alpha}{C - 2\sin \alpha} d\alpha.$$

An easy computation shows that $\lim_{C \rightarrow \pm 2} = +\infty$ and $\lim_{C \rightarrow \infty} = 0$. It follows that for all rational numbers p/q there exists $C(p/q)$ such that the corresponding curve $\Phi(C_q) = 2p\pi/q$. By repeating q times this pattern, we obtain a q -symmetric curve. It is easy to check that these curves are never embedded.

Second case: $|C| < 2$. Here the trajectories are unbounded. However we still have

$$\Phi(C) = \int \frac{\sin \alpha}{r} ds = \int_{\alpha_-}^{\alpha_+} \frac{\sin \alpha}{C - 2\sin \alpha} d\alpha,$$

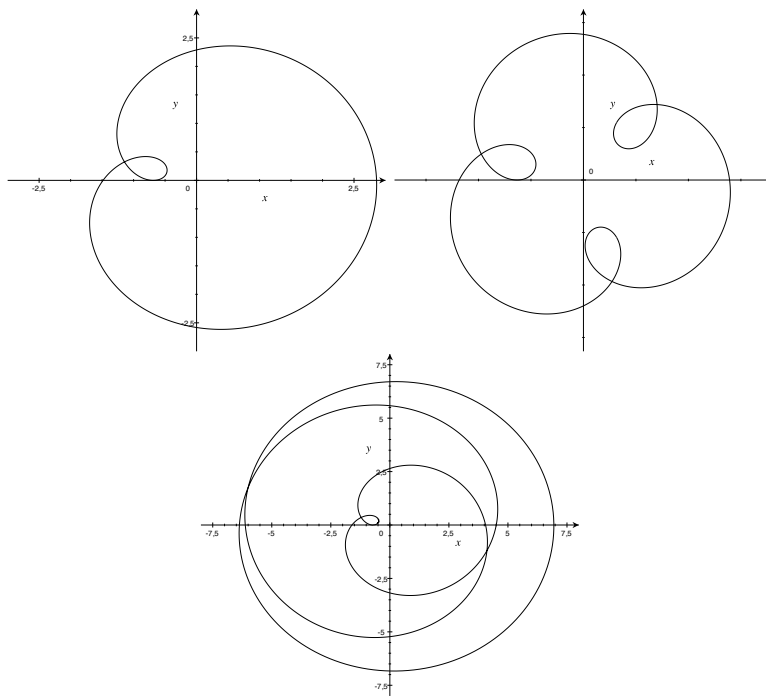


Figure 1: Closed curves for $C > 2$ with respective total angular variation $\Phi = 2\pi, 2\pi/3, 6\pi$.

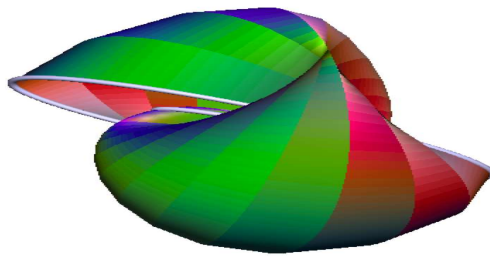


Figure 2: Surface corresponding to the first closed curve, partially cut to show the circles in grey, projected down to \mathbb{R}^3 .

and

$$\Phi(C) = \int_{\alpha_+}^{\alpha_- + 2\pi} \frac{\sin \alpha}{C - 2 \sin \alpha} d\alpha,$$

where $\alpha_- < \alpha_+$ are defined to be the two roots of $2 \sin \alpha_{\pm} = C$. In both cases, if C does not vanish, $\Phi(C) = \infty$, therefore the curve γ has two ends which spiral. The case of vanishing C implies β to be constant, so this is the special Lagrangian case, which have already been treated in [A], Section 4 (cf also [CU]). It is proved that we get, up to congruences, a unique surface, the *Lagrangian catenoid*.

Third case: $|C| = 2$.

Here all the points of the vertical lines $\alpha = 0 \bmod \pi$ are equilibrium points. The corresponding curves γ are round circles centered at the origin. The corresponding surfaces are products of circles $\mathbb{S}^1(r) \times \mathbb{S}^1(r)$, sometimes called Clifford tori. In the region $\alpha \neq 0 \bmod \pi$, the situation is analogous the second case: the curves γ have two spiraling ends.

4.2 Characterization of Hamiltonian stationary Type I surfaces

Proposition 2 *A non-planar Hamiltonian stationary Lagrangian cyclic surface of \mathbb{C}^2 of type I must be centered, and thus is one of the surfaces described in Section 4.1*

Proof. The proof is done by contradiction. We consider a type I immersion

$$\begin{aligned} Y : I \times \mathbb{R}/2\pi\mathbb{Z} &\rightarrow \mathbb{C}^2 \\ (s, t) &\mapsto r(s)e^{i\phi(s)}(\cos t, \sin t) + \int_{s_0}^s e^{i\phi(u)}(W_1(u), W_2(u))du \end{aligned}$$

with non-vanishing $W = (W_1, W_2)$ and we show that the Hamiltonian stationarity leads to a contradiction. We recall some notations already introduced in [ACR]:

$$x = (\cos t, \sin t),$$

$$A := \left(1 + \langle W, x \rangle^2 + 2 \cos \alpha \langle W, x \rangle\right)^{-1/2}.$$

and

$$B := k + \left(k \cos \alpha + \frac{\sin \alpha \cos \alpha}{r}\right) \langle W, x \rangle - \sin \alpha \langle W', x \rangle + \frac{\sin \alpha}{r} \langle W, x \rangle^2.$$

We also exploit the computations done in [ACR], Section 4, where it was shown that

$$A^{-6} \Delta \beta = \text{I} + \text{II} + \text{III} + \text{IV} + \text{V} + \text{VI} + \text{VII}$$

where

$$\begin{aligned}
\text{I} &:= 3B (\cos \alpha \langle W', x \rangle - \alpha' \sin \alpha \langle W, x \rangle + \langle W, x \rangle \langle W', x \rangle) \\
\text{II} &:= -A^{-2} \left[B' - \frac{\sin \alpha}{r} (\cos \alpha \langle W', x \rangle - \alpha' \sin \alpha \langle W, x \rangle + \langle W, x \rangle \langle W', x \rangle) \right] \\
\text{III} &:= -A^{-4} \partial_s \left(\frac{\sin \alpha}{r} \right) \\
\text{IV} &:= -3B \frac{\cos \alpha + \langle W, x \rangle}{r} (|W|^2 - \langle W, x \rangle^2) \\
\text{V} &:= \frac{A^{-2}}{r} \left[\left(k \cos \alpha + \frac{\sin \alpha}{r} \langle W, x \rangle \right) (|W|^2 - \langle W, x \rangle^2) \right. \\
&\quad \left. + \sin \alpha (\langle W', W \rangle - \langle W', x \rangle \langle W, x \rangle) \right] \\
\text{VI} &:= -A^{-2} \frac{\sin \alpha}{r^2} (\cos \alpha + \langle W, x \rangle) (|W|^2 - \langle W, x \rangle^2) - 2A^{-4} \frac{\sin \alpha}{r^2} \langle W, x \rangle \\
\text{VII} &:= -A^{-2} \frac{B}{r} (\cos \alpha + \langle W, x \rangle) - A^{-4} \frac{\sin \alpha \cos \alpha}{r^2}
\end{aligned}$$

For fixed s we may view $A^{-6} \Delta \beta$ as a polynomial in x ; then the highest degree term is not anymore in $\langle W, x \rangle^5$ as in [ACR] but only in the fourth power. Forgetting all powers of x beneath the fourth, we have:

$$\begin{aligned}
\text{I} &\equiv \frac{3 \sin \alpha}{r} \langle W', x \rangle \langle W, x \rangle^3 \\
\text{II} &\equiv -\partial_s \left(\frac{\sin \alpha}{r} \right) \langle W, x \rangle^4 - \frac{\sin \alpha}{r} \langle W', x \rangle \langle W, x \rangle^3 \\
\text{III} &\equiv -\partial_s \left(\frac{\sin \alpha}{r} \right) \langle W, x \rangle^4 \\
\text{IV} &\equiv \frac{3 \sin \alpha}{r^2} \langle W, x \rangle^5 + \left(\frac{3k \cos \alpha}{r} + \frac{6 \sin \alpha \cos \alpha}{r^2} \right) \langle W, x \rangle^4 \\
&\quad - \frac{3 \sin \alpha}{r} \langle W', x \rangle \langle W, x \rangle^3 \\
\text{V} &\equiv -\frac{\sin \alpha}{r^2} \langle W, x \rangle^5 - \left(\frac{k \cos \alpha}{r} + \frac{2 \sin \alpha \cos \alpha}{r^2} \right) \langle W, x \rangle^4 \\
&\quad - \frac{\sin \alpha}{r} \langle W', x \rangle \langle W, x \rangle^3 \\
\text{VI} &\equiv -\frac{\sin \alpha}{r^2} \langle W, x \rangle^5 - \frac{5 \sin \alpha \cos \alpha}{r^2} \langle W, x \rangle^4 \\
\text{VII} &\equiv -\frac{\sin \alpha}{r^2} \langle W, x \rangle^5 - \left(\frac{5 \sin \alpha \cos \alpha}{r^2} + \frac{k \cos \alpha}{r} \right) \langle W, x \rangle^4 \\
&\quad + \frac{\sin \alpha}{r} \langle W', x \rangle \langle W, x \rangle^3
\end{aligned}$$

At given s , for $\Delta \beta$ to be zero for all t , we need (replacing k by $\alpha' + \sin \alpha / r$

and using $r' = \cos \alpha$, $\phi' = \sin \alpha/r$,

$$\begin{aligned} 0 &= \frac{\sin \alpha}{r} \langle W', x \rangle + \left(2\partial_s \left(\frac{\sin \alpha}{r} \right) + \frac{5 \sin \alpha \cos \alpha}{r^2} - \frac{\alpha' \cos \alpha}{r} \right) \langle W, x \rangle \\ &= \frac{\sin \alpha}{r} \langle W', x \rangle + \left(\partial_s \left(\frac{\sin \alpha}{r} \right) + \frac{4 \sin \alpha \cos \alpha}{r^2} \right) \langle W, x \rangle \end{aligned}$$

for almost all values, hence for all. If W and W' are not colinear, then $\langle W, x \rangle$ and $\langle W', x \rangle$ are linearly independent as functions of t , hence

$$\frac{\sin \alpha}{r} = \partial_s \left(\frac{\sin \alpha}{r} \right) + \frac{4 \sin \alpha \cos \alpha}{r^2} = 0$$

so that $\theta \equiv \phi \pmod{\pi}$, ϕ is constant (and it is half the Lagrangian angle). The solution is then trivial: a subset of some Lagrangian plane, spanned by circles.

If W' is colinear to W for an open interval in the s variable, then $W(s) = w(s)W^0$ for some real valued function $w(s)$, and the center of the circle at s lies in the plane $\mathbb{C}W^0$. Using real rotations, and up to a reparametrization in t , we may as well assume that $W^0 = (1, 0)$ and we arrive at the following equation

$$\frac{\sin \alpha}{r} w' + \left(\partial_s \left(\frac{\sin \alpha}{r} \right) + \frac{4 \sin \alpha \cos \alpha}{r^2} \right) w = 0.$$

whose solution (up to scaling) is $w = c(r^3 \sin \alpha)^{-1}$, where c is some non vanishing constant (the case of vanishing c would correspond to the centered case). Using this last result, we shall now come back to the expression of $A^{-6} \Delta \beta$. First, we have

$$\begin{aligned} A^{-2} &= 1 + 2w \cos \alpha \cos t + w^2 \cos^2 t \\ B &= k + \left(k \cos \alpha + \frac{\sin \alpha \cos \alpha}{r} \right) w \cos t + \cos \alpha \left(k + \frac{2 \sin \alpha}{r} \right) w \cos t \\ &\quad + \frac{\sin \alpha}{r} w^2 \cos^2 t \\ &= k + \left(2k \cos \alpha + \frac{3 \sin \alpha \cos \alpha}{r} \right) w \cos t + \frac{\sin \alpha}{r} w^2 \cos^2 t \\ B' &= k' + \left(2k' \cos \alpha - \frac{2k^2}{\sin \alpha} - \frac{k}{r} (3 \cos^2 \alpha + 1) + \frac{\sin \alpha}{r^2} (3 - 15 \cos^2 \alpha) \right) w \cos t \\ &\quad - \left(\frac{k \cos \alpha}{r} + \frac{6 \sin \alpha \cos \alpha}{r^2} \right) w^2 \cos^2 t \end{aligned}$$

After a long but straightforward calculation, we get

$$\begin{aligned}
A^{-6}\Delta\beta &= -\left(k' + \frac{2k\cos\alpha}{r} + \frac{3kw^2\cos\alpha}{r} + \frac{3w^2\sin\alpha\cos\alpha}{r^2} - \frac{\sin\alpha\cos\alpha}{r^2}\right) \\
&- \left(4k'\cos\alpha + \frac{k^2}{\sin\alpha} + \frac{k(14\cos^2\alpha - 2)}{r} - \frac{\sin\alpha}{r^2}(13\cos^2\alpha - 4)\right. \\
&\quad \left. + \frac{kw^2}{r}(6\cos^2\alpha + 3) + \frac{w^2\sin\alpha(15\cos^2\alpha)}{r^2}\right) w\cos t \\
&- \left(k'(1 + 4\cos^2\alpha) + 5k^2\cot\alpha + \frac{k\cos\alpha}{r}(20\cos^2\alpha + 13)\right. \\
&\quad \left. + \frac{\sin\alpha\cos\alpha}{r^2}(5\cos^2\alpha - 2) + \frac{6k\cos\alpha w^2}{r} + \frac{6w^2\sin\alpha\cos\alpha}{r^2}\right) w^2\cos^2 t \\
&- \left(2k'\cos\alpha + \frac{k^2}{\sin\alpha}(4\cos^2\alpha) + \frac{k}{r}(22\cos^2\alpha + 1)\right. \\
&\quad \left. + \frac{\sin\alpha}{r^2}(7\cos^2\alpha + 4 + 3w^2)\right) w^3\cos^3 t
\end{aligned}$$

Thus the vanishing of $\Delta\beta$ implies four linear relations in the (dependent) variables $k'\cos\alpha$, $k^2/\sin\alpha$, k/r and $\sin\alpha/r^2$, that we write in matrix form:

$$\begin{pmatrix} 1 & 0 & X(2+3w^2) & X(3w^2-1) \\ 4 & 1 & 14X-2+(6X+3)w^2 & 15Xw^2+4-13X \\ 1+4X & 5X & X(20X+13)+6Xw^2 & X(6w^2+5X-2) \\ 2 & 4X & 22X+1 & 3w^2+7X+4 \end{pmatrix} \begin{pmatrix} k'\cos\alpha \\ k^2/\sin\alpha \\ k/r \\ \sin\alpha/r^2 \end{pmatrix} = 0$$

where we have denoted $X = \cos^2\alpha$ for brevity. We reduce it to

$$\begin{pmatrix} 1 & 0 & X(2+3w^2) & X(3w^2-1) \\ 0 & 1 & 6X-2+(-6X+3)w^2 & 3Xw^2+4-9X \\ 0 & 0 & X(-18X+21)+X(18X-12)w^2 & X(3-27X)w^2+X(54X-21) \\ 0 & 0 & -24X^2+26X+1-X(24X-6)w^2 & w^2(3-6X-12X^2)+4-7X+36X^2 \end{pmatrix} \quad (2)$$

leaving us with the following system

$$\begin{cases} X((-18X+21)+(18X-12)w^2)k \\ \quad = X((27X-3)w^2+(21-54X))\frac{\sin\alpha}{r} \\ (24X^2-26X-1+Xw^2(24X-6))k \\ \quad = -(w^2(3-6X-12X^2)+4-7X+36X^2)\frac{\sin\alpha}{r} \end{cases} \quad (3)$$

The trivial solution $k = \sin\alpha = 0$ being excluded because w is not defined when $\sin\alpha = 0$, the determinant of the above system must vanish, hence the following algebraic equation

$$\begin{aligned}
E(X, Y) &= (-288X^3 + 90X^2 + 36X - 12)Y^2 \\
&\quad + (-504X^4 + 756X^3 - 264X^2 + 8X + 4)Y \\
&\quad + 216X^5 - 774X^4 + 991X^3 - 489X^2 + 21X + 35 \quad (4)
\end{aligned}$$

in terms of the variables $X = \cos^2 \alpha$ and $Y = c^2 r^{-6} = w^2 \sin^2 \alpha$, where we have divided by X for simplicity. We will now show a contradiction. Indeed any of the two equations in (3) yields a dynamical system

$$\begin{cases} \alpha' = k - \frac{\sin \alpha}{r} = \frac{\sin \alpha}{r} g(\cos^2 \alpha, c^2 r^{-6}) \\ r' = \cos \alpha \end{cases}$$

and if we take for instance the first one

$$g(X, Y) = \frac{(5 + 19X + 12X^2)(1 - X) + Y(3 - 36X)}{(24X^2 - 26X - 1)(1 - X) + Y(24X^2 - 6X)}.$$

The solution $(\alpha(s), r(s))$ has to satisfy the analytic equation $E(\cos^2 \alpha, c^2 r^{-6}) = 0$. Taking the derivative leads to

$$2 \sin \alpha \cos \alpha \alpha' \partial E / \partial X + 6c^2 r' r^{-7} \partial E / \partial Y = 0,$$

which expands to

$$F(X, Y) := (1 - X)g(X, Y) \frac{\partial E}{\partial X} + 3Y \frac{\partial E}{\partial Y} = 0.$$

For a solution to exist, we need to find a common open set for the two algebraic curves $E = 0$ and $F = 0$. However E is irreducible, so if E and F agree, they have to do so on the complete component $E = 0$. We show on the contrary that this component contains a point that does not satisfy $F = 0$. Let us solve $E(0, Y) = 0$.

$$0 = E(0, Y) = -12Y^2 + 4Y + 35$$

yields $Y = \frac{1 \pm \sqrt{106}}{6}$. Evaluating F at these two values yields $1100 \pm 85\sqrt{106}$ which are non zero, hence the contradiction. Finally we study the case of $X = \cos^2 \alpha = 0$, where the system (2) amounts to

$$\begin{cases} \frac{k^2}{\sin \alpha} - \frac{2k}{r} + \frac{3kw^2}{r} + \frac{4 \sin \alpha}{r^2} = 0 \\ \frac{k}{r} + \frac{3w^2 \sin \alpha}{r^2} + \frac{4 \sin \alpha}{r^2} = 0 \end{cases}$$

and since $k = \alpha' + \sin \alpha / r = \sin \alpha / r$

$$\begin{cases} \frac{\sin \alpha}{r^2} - \frac{2 \sin \alpha}{r^2} + \frac{3 \sin \alpha w^2}{r^2} + \frac{4 \sin \alpha}{r^2} = 0 \\ \frac{\sin \alpha}{r^2} + \frac{3w^2 \sin \alpha}{r^2} + \frac{4 \sin \alpha}{r^2} = 0 \end{cases}$$

$$3 + 3w^2 = 5 + 3w^2 = 0$$

so again we get a contradiction and the proof is complete.

4.3 Hamiltonian stationary Type II surfaces

Proposition 3 *A Hamiltonian stationary Lagrangian cyclic surface of \mathbb{C}^2 of type II is locally congruent to a Cartesian product of two round circles $\mathbb{S}^1(r_1) \times \mathbb{S}^1(r_2)$.*

Proof. As we saw in Section 2, Remark 4, a type II immersion which is not a product of curves can take the following form

$$\begin{aligned} X : I \times \mathbb{R}/2\pi\mathbb{Z} &\rightarrow \mathbb{C}^2 \\ (s, t) &\mapsto c(\gamma_1(s)e^{it}, \gamma_2(s)e^{it}) + \int_{s_0}^s W(u)(\gamma'_1, \gamma'_2)du \end{aligned}$$

where the Legendrian curve $\gamma = (\gamma_1, \gamma_2)$ is parametrized by arc length. We denote by $\beta_L = \arg(\gamma_1\gamma'_2 - \gamma_2\gamma'_1)$ the Legendrian angle of the curve $\gamma = (\gamma_1, \gamma_2)$, i.e. the Lagrangian angle of the plane spanned by γ, γ' . Next we compute the derivatives of the immersion (we set the constant c to 1 since that does not change the Lagrangian angle):

$$Y_s = (W + e^{it}) \begin{pmatrix} \gamma'_1 \\ \gamma'_2 \end{pmatrix}, \quad Y_t = ie^{it} \begin{pmatrix} \gamma_1 \\ \gamma_2 \end{pmatrix},$$

from which we deduce that

$$\det_{\mathbb{C}}(Y_s, Y_t) = ie^{it}(W + e^{it})(\gamma'_1\gamma_2 - \gamma'_2\gamma_1) = -i(e^{it} + W)e^{i(\beta_L+t)}$$

Thus

$$\beta(s, t) = t + \beta_L + \arctan\left(\frac{\sin t + W_2}{\cos t + W_1}\right) - \frac{\pi}{2}$$

We now compute the induced metric:

$$g_{ss} = 1 + |W|^2 + 2\langle W, e^{it} \rangle =: A^2 \quad g_{tt} = 1 \quad g_{st} = 0,$$

and the first derivatives of β :

$$\beta_s = \beta'_L + \frac{\langle W', ie^{it} \rangle + W_1W'_2 - W'_1W_2}{A^2}, \quad \beta_t = \frac{2 + |W|^2 + 3\langle W, e^{it} \rangle}{A^2},$$

where $\langle \cdot, \cdot \rangle$ stands for the scalar product in $\mathbb{C} \simeq \mathbb{R}^2$.

$$g = \begin{pmatrix} A^2 & 0 \\ 0 & 1 \end{pmatrix}, \quad g^{-1} = \begin{pmatrix} A^{-2} & 0 \\ 0 & 1 \end{pmatrix}.$$

Thus,

$$\Delta\beta = -\frac{1}{\sqrt{\det g}} \left(\frac{\partial}{\partial s} \left(\sqrt{\det g} g^{ss} \beta_s \right) + \frac{\partial}{\partial t} \left(\sqrt{\det g} g^{tt} \beta_t \right) \right)$$

$$\begin{aligned}
-A\Delta\beta &= \frac{\partial}{\partial s} \left(\frac{1}{A} \left(\beta'_L + \frac{\langle W', ie^{it} \rangle + W_1 W'_2 - W'_1 W_2}{A^2} \right) \right) \\
&\quad + \frac{\partial}{\partial t} \left(\frac{2 + |W|^2 + 3\langle W, e^{it} \rangle}{A} \right) \\
&= \frac{\beta''_L A - \beta'_L \frac{\partial A}{\partial s}}{A^2} + \frac{\langle W'', ie^{it} \rangle + W_1 W''_2 - W''_1 W_2}{A^3} \\
&\quad - 3 \frac{\langle W', ie^{it} \rangle + W_1 W'_2 - W'_1 W_2}{A^4} \frac{\partial A}{\partial s} \\
&\quad + 3 \frac{\langle W, ie^{it} \rangle}{A} - \frac{2 + |W|^2 + 3\langle W, e^{it} \rangle}{A^2} \frac{\partial A}{\partial t} \\
&= \frac{\beta''_L}{A} - \frac{\beta'_L \langle W', W + e^{it} \rangle}{A^3} + \frac{\langle W'', ie^{it} \rangle + W_1 W''_2 - W''_1 W_2}{A^3} \\
&\quad - 3 \frac{(\langle W', ie^{it} \rangle + W_1 W'_2 - W'_1 W_2) \langle W', W + e^{it} \rangle}{A^5} \\
&\quad + 3 \frac{\langle W, ie^{it} \rangle}{A} - \frac{2 + |W|^2 + 3\langle W, e^{it} \rangle}{A^3} \langle W, ie^{it} \rangle
\end{aligned}$$

$$\begin{aligned}
-A^6\Delta\beta &= A^4\beta''_L - A^2\beta'_L \langle W', W + e^{it} \rangle + A^2(\langle W'', ie^{it} \rangle + W_1 W''_2 - W''_1 W_2) \\
&\quad - 3(\langle W', ie^{it} \rangle + W_1 W'_2 - W'_1 W_2) \langle W', W + e^{it} \rangle \\
&\quad + A^2 \langle W, ie^{it} \rangle (1 + 2|W|^2 + 3\langle W, e^{it} \rangle).
\end{aligned}$$

For fixed s , the expression $-A^6\Delta\beta$ is polynomial of degree 3 in the variable e^{it} , and the only term of order 3 comes from the last line in the expression above: $3A^2 \langle W, e^{it} \rangle \langle W, ie^{it} \rangle$. Thus if β is harmonic W must vanish, hence we are in the centered case (Hopf type tori).

This case is straightforward: on the one hand the metric is flat and on the other hand $\beta = 2t + \beta_L - \frac{\pi}{2}$, thus we must have $\beta''_L = 0$. Following the terminology of [CLU], the curve γ is *contact stationary* and take the following form :

$$\gamma(s) = (ce^{is/\sqrt{2}c}, \sqrt{1-c^2}e^{-is/\sqrt{2(1-c^2)}}),$$

where $c \in (0, 1)$. We observe that the closedness of the Legendrian curve is not necessary in order to get a compact surface. The corresponding Hopf torus is a product of circles $\mathbb{S}^1(c) \times \mathbb{S}^1(\sqrt{1-c^2})$. By making a convenient homothety we get any product of circles $\mathbb{S}^1(r_1) \times \mathbb{S}^1(r_2)$ thus the proof is complete.

5 Ruled Lagrangian surfaces

Let Σ be a smooth, ruled, Lagrangian surface. If the rulings are parallel, it is straightforward that Σ is a Cartesian product $\mathcal{L} \times \Gamma$ of some straight line \mathcal{L} , and some planar curve Γ , such that $\mathcal{L} \subset P_1$ and $\Gamma \subset P_2$, where P_1 and P_2 are two orthogonal, complex planes. So from now on, our discussion being local, we shall assume that the rulings are not parallel.

Locally, Σ may be parametrized by the following immersion:

$$\begin{aligned} X : I \times \mathbb{R} &\rightarrow \mathbb{C}^2 \\ (s, t) &\mapsto \gamma(s)t + V(s), \end{aligned}$$

where $\gamma(s)$ is a unit speed curve of \mathbb{S}^3 and $V(s) \in \mathbb{C}^2$, and we have

$$X_s = \gamma't + V', \quad X_t = \gamma.$$

We now claim that, without loss of generality, we may assume that X_s and X_t are orthogonal: to see this, we reparametrize the surface by $\hat{X}(s, t) = X(s, t) + \gamma(s)T(s)$, where $T(s)$ is some real function. We observe that the images of X and \hat{X} are the same. Then we compute

$$\hat{X}_s = X_s + \gamma'T + \gamma T', \quad \hat{X}_t = X_t = \gamma.$$

Thus by choosing T such that $T' = -\langle X_s, X_t \rangle$, we may reparametrize our surface such that \hat{X}_s and \hat{X}_t are orthogonal.

The Lagrangian assumption amounts to

$$\omega(X_s, X_t) = \langle X_s, JX_t \rangle = t\langle \gamma', J\gamma \rangle + \langle V', J\gamma \rangle = 0.$$

The vanishing of $\langle \gamma', J\gamma \rangle$ means that the curve γ is Legendrian. It follows that $(\gamma, J\gamma, \gamma', J\gamma')$ is an orthonormal basis of $\mathbb{R}^4 \simeq \mathbb{C}^2$. Thus the conditions $\langle V', J\gamma \rangle = 0$ and $\langle X_s, X_t \rangle = \langle V', \gamma \rangle = 0$ imply that there exists a planar curve $\alpha(s) = x(s) + iy(s)$ such that $V' = x\gamma' + yJ\gamma' = \alpha\gamma'$. So we have shown the first part of the following:

Theorem 4 *A smooth, ruled, Lagrangian surface of \mathbb{C}^2 is either the Cartesian product $\mathcal{L} \times \Gamma$ of a straight line \mathcal{L} with a planar curve Γ or may be locally parametrized by an immersion of the form*

$$\begin{aligned} X : I \times \mathbb{R} &\rightarrow \mathbb{C}^2 \\ (s, t) &\mapsto \gamma(s)t + \int_{s_0}^s \alpha(u)(\gamma'_1(u), \gamma'_2(u))du, \end{aligned}$$

where $\gamma = (\gamma_1, \gamma_2)$ is some Legendrian curve of \mathbb{S}^3 and $\alpha = (x, y)$ is some planar curve. Moreover, the only self-similar ruled Lagrangian surfaces of \mathbb{C}^2 are Cartesian products $\mathcal{L} \times \Gamma$, where \mathcal{L} is a straight line and Γ is a planar self-similar curve (cf [AL]).

Proof. We have already characterized ruled Lagrangian surfaces, so it remains to study the self-similar equation.

We start computing the first derivatives of the immersion:

$$X_t(s, t) = \gamma(s), \quad X_s(s, t) = (1 + \alpha(s))(\gamma'_1(s), \gamma'_2(s))$$

from which we deduce the expression of the induced metric:

$$E = (t + x)^2 + y^2, \quad G = 1, \quad F = 0,$$

and a basis of the normal bundle:

$$N_t = i\gamma(s), \quad N_s = i(1 + \alpha(s))(\gamma'_1(s), \gamma'_2(s)).$$

We now compute some second derivatives:

$$X_{st} = \gamma'(s), \quad X_{tt} = 0.$$

We deduce that

$$2\langle H, N_t \rangle = \frac{\langle X_{ss}, N_t \rangle}{E} + \frac{\langle X_{tt}, N_t \rangle}{G} = \frac{\langle X_{st}, N_s \rangle}{E} = \frac{1+x}{(t+x)^2 + y^2}.$$

On another hand, we have:

$$\langle X, N_t \rangle = \langle i\gamma(s), \int_{s_0}^s \alpha(u)(\gamma'_1(u), \gamma'_2(u))du \rangle,$$

which clearly does not depend on t . So the equation

$$\langle H, N_t \rangle + \lambda \langle X, N_t \rangle = 0$$

can never hold for such an immersion, so the only self-similar ruled Lagrangian surfaces are products $\mathcal{L} \times \Gamma$. It is then straightforward to see that the curve Γ must be a solution of the self-similar equation.

Remark 5 We recover the Lagrangian helicoid of [B] by taking $\gamma(s) = (k + il)(\cos s, \sin s)$, where k and l are two constants such that $k^2 + l^2 = 1$. In the notation of [B], we have $x(s) = G/2$ and $y(s) = -A$.

References

- [AL] U. Abresch, J. Langer, *The normalized curve shortening flow and homothetic solutions*, J. of Diff. Geom. **23** (1986), 175–196.
- [ACR] H. Anciaux, I. Castro, P. Romon, *Lagrangian submanifolds of \mathbb{R}^{2n} which are foliated by spheres*, Acta Math. Sinica (English Series), **22** (2006) no. 4, 1197–1214.
- [A] H. Anciaux, *Construction of Lagrangian self-similar solutions to the Mean Curvature Flow in \mathbb{C}^n* , Geometriae Dedicata **120** (2006), 37–48.
- [B] D. Blair, *Lagrangian helicoids*, Michigan Math. J. **50** (2002), no. 1, 187–200.
- [CC] I. Castro, B.-Y. Chen, *Lagrangian surfaces in complex Euclidean plane via spherical and hyperbolic curves*, to appear in Tohoku Math. J. **58** (2006), no. 4.

- [CLU] I. Castro, H. Li, F. Urbano, *Hamiltonian-minimal Lagrangian submanifolds in complex space forms*, Pacific J. of Maths. **227** (2006), no. 1, 43–61.
- [CU] I. Castro, F. Urbano, *On a Minimal Lagrangian Submanifold of \mathbb{C}^n Foliated by Spheres*, Mich. Math. J. **46** (1999), 71–82
- [C1] B.-Y. Chen, *Complex extensors and Lagrangian submanifolds in complex Euclidean spaces*, Tohoku Math. J. (2) **49** (1997), 277–297.
- [C2] B.-Y. Chen, *Construction of Lagrangian surfaces in complex Euclidean plane with Legendre curves*, Kodai Math. J., **29** (2006), 84–112.
- [HR] F. Hélein, P. Romon, *Hamiltonian stationary Lagrangian surfaces in \mathbb{C}^2* , Comm. Anal. Geom. **10** (2002), 79–126.
- [P] U. Pinkall, *Hopf tori in S^3* , Invent. Math. **81** (1985), no. 2, 379–386.

Henri Anciaux
 Departement of Mathematics and Computing
 Institute of Technology, Tralee
 Co. Kerry, Ireland
 henri.anciaux@staff.ittralee.ie

Pascal Romon
 Université de Paris-Est Marne-la-Vallée
 5, bd Descartes, Champs-sur-Marne
 77454 Marne-la-Vallée cedex 2, France
 pascal.romon@univ-mlv.fr