



HAL
open science

Synthesis and verification of constraints in the PGM protocol

Marc Boyer, Mihaela Sighireanu

► **To cite this version:**

Marc Boyer, Mihaela Sighireanu. Synthesis and verification of constraints in the PGM protocol. 12th International Formal Methods Europe Symposium, FM'03, Sep 2003, Pisa, Italy. pp.264-281. <hal-00110252>

HAL Id: hal-00110252

<https://hal.science/hal-00110252v1>

Submitted on 27 Oct 2006

HAL is a multi-disciplinary open access archive for the deposit and dissemination of scientific research documents, whether they are published or not. The documents may come from teaching and research institutions in France or abroad, or from public or private research centers.

L'archive ouverte pluridisciplinaire **HAL**, est destinée au dépôt et à la diffusion de documents scientifiques de niveau recherche, publiés ou non, émanant des établissements d'enseignement et de recherche français ou étrangers, des laboratoires publics ou privés.



HAL Authorization

Synthesis and verification of constraints in the PGM protocol ^{*}

Marc Boyer¹ and Mihaela Sighireanu²

¹ ENSEEIHT - IRIT/TÉSA, 2, rue Camichel, 31071 Toulouse France

² LIAFA - University of Paris 7, 2 place Jussieu, 75251 Paris France
Marc.Boyer@enseeiht.fr, Mihaela.Sighireanu@liafa.jussieu.fr

Abstract. Specifications of protocols usually involve several parameters, for example the number of retransmissions or the timeout delays. The properties satisfied by the protocol depend often on the relation between these parameters. Automatic synthesis of such relations becomes a difficult problem when the constraints are too complex, e.g., non-linear expressions between integer and/or real parameters. This paper reports about modeling and constraint synthesis in the Pragmatic General Multicast (PGM) protocol. The property that we aim to satisfy is the full reliability property for data transmission. The complexity of the PGM prevents us from doing automatic synthesis of this constraint. Instead, we propose a methodology to deal with this problem using classical model-checking tools for timed and finite systems. Our methodology consists of several steps. First, we identify the sources of complexity and, for each source, we propose several abstractions preserving the full reliability property. Then, we build an abstract parameterized model on which we test, after instantiation of parameters, that the basic properties of the protocol (deadlock freedom, liveness) are preserved. By analyzing the scenario which invalidate the full reliability property, we find a non-linear constraint between the parameters of the protocol. We check the relation found by instantiating the parameters with relevant values and applying model-checking.

Key words: PGM protocol, real-time multicast protocol, finite and timed model-checking, parameterized verification, constraint synthesis.

1 Introduction

In the last years, interesting results have been obtained in the verification of models using parameters (i.e., constants which values are not fixed) [AAB00,HRSV01,BCALS01,BCAS01]. The models considered are mainly parametric counter and timed automata, i.e., models with counters and/or clocks that can be compared with (expressions on) parameters in order to define lower

^{*} This work was supported in part by the European Commission (FET project ADVANCE, contract No IST-1999-29082).

and upper bounds on their possible values. On such models are studied two kind of problems: *verify* that the model satisfies some property for *all* possible values of parameters (verification problem), or *find* constraints on parameters defining the set of all possible values for which the model satisfies a property (synthesis problem). These problems can be solved as reachability problems in parametric models. Since the reachability problem is undecidable for parametric timed [AHV93] and counter automata, semi-algorithmic approaches are used.

The interest of such a research is obvious, especially in the framework of compositional specification: components are parameterized and the system obtained would satisfy some property depending on the tuning of values for parameters. Unfortunately, this approach is strongly limited by the kind of relations between parameters, since only linear relations between integer parameters can be dealt. A possible solution [AAB00] is to use an over-approximation by considering that these integer parameters are reals. Another limitation is the size of the models that can be analyzed. While finite verification deals easily with models containing several tens of finite integer variables, the actual tools doing infinite model-checking (e.g., ALV [Bul98], LASH [Boi98], TREX [BCAS01]) can not manage the same number of infinite integer (counter) variables.

We show in this paper how it is possible to manage the current limits of the parameterized verification by using an accurate methodology and finite model-checking.

The example we consider is the Pragmatic General Multicast (PGM) protocol. PGM has been designed to support reliable multicast of small, real-time generated information to potentially millions of users, for example in video applications. The protocol was developed jointly by CISCO Systems and TIBCO, and presented to the IETF¹ as an open reference specification [SFC⁺01]. It is currently supported as a technology preview, usually over IP, with which users may experiment.

The main property that PGM intends to guarantee (stated in [SFC⁺01]) is the following: *a receiver either receives all data packets from transmissions and repairs or it is able to detect uncoverable data packet loss*. It means that the full reliability property of PGM is not mandatory. However, it is interesting to know under which conditions the full reliability is obtained, and our work focus on this concern.

The problem of reliable multicast protocols is that the classical solution of positive acknowledgments (ACKs) used for reliability in unicast protocols (like TCP) may produce excessive overhead for one-to-many communications. For this reason, the reliable multicast protocols often use negative acknowledgments (NAKs) sent by the receivers when some packets are not received. This solution does not work well during periods of congestion, when many receivers may be affected by losses. Multiple redundant NAKs can be issued by the group of receivers, adding to the congestion and causing the “NAK implosion” of the network or redundant retransmissions. PGM minimizes the probability of NAK implosion by

¹ Internet Engineering Task Force

using a NAK elimination mechanism in the intermediate nodes of the distribution tree.

The protocol specification in [SFC⁺01] is too complex w.r.t. the full reliability property. Indeed, it includes a lot of mechanisms which are designed to minimize the loading of the network. In this paper, an important contribution is the design of a model for the protocol where the mechanisms which are not important for full reliability are abstracted. This abstract model uses twenties clocks, tens of counters, arrays, FIFO queues. None of the existing tools on infinite verification can deal with it. Moreover, we prove (manually) that the full reliability property is verified when some integers parameters satisfy a non-linear relation, so the parameterized reachability analysis can not be directly applied.

In order to check the constraint found, we instantiate systematically the six parameters of the protocol and apply the existing tools for real-time and finite model-checking. We work with the IF [BFG⁺00] and CADP [FGK⁺96] tool-boxes.

Moreover, since we have to do more than twenty thousand tests, we intensively use shell scripts to manage fully automatically the instantiation of parameters. This part shows us the interest of parameterized verification. Also, our work allows to find some abstractions for the PGM. They may be useful for verification by infinite model-checking.

In addition to these specific contributions for the PGM protocol, we highlight the current methodology for constraint synthesis using finite model-checking. We show (1) how to obtain a good model, (2) how constraints are obtained, and (3) how are chosen values for parameters in order to automatically verify the constraint by finite model-checking. The PGM is a good example to illustrate this methodology due to its complexity.

Related work. Recent work has been done in the verification of a simplified, timed version of the PGM protocol in [BBP02]. The model considered implements the same topology that our (linear one with three nodes). However, the model used for communication between automata corresponds to one-place buffers with delay. Our model is more general in this direction because it uses bounded FIFO queues with delays. They verify the reliability property of the protocol by instantiating the parameters and then calling the UPPAAL [PL00] tool for verification of timed systems. They didn't find the relation we synthesize, although they are interested by the same property.

The work done in [BL02] concerns the validation with LASH of the sliding window mechanism of the protocol for any number of data packets sent. A more theoretical work is done in [EM02] and consists of a mathematical framework for multicast protocol that allows to generalize the results obtained for linear topologies to tree topologies.

Outline. Section 2 gives an overview of the protocol. Section 3 presents the model we verified for the PGM protocol and describes the abstractions applied to this model. Section 4 contains the proof of the constraint we found for satisfaction of the full reliability property. Section 5 describes shortly the tools used and the methodology employed. Then, Section 6 gives the properties checked and

the verification results. Section 7 summarizes the work done and gives some concluding remarks on this experience.

2 Overview of PGM

A “session” of the PGM protocol (a given data transfer from a source to a group of receivers) builds a tree: the source is the root of the tree, the receivers are the leaves, and the other network elements are intermediary nodes. This tree may change during the session by the dynamic join/leave of receivers. Figure 1 shows such a distribution tree and the direction (upstream or downstream) followed by the five basic packets of the protocol.

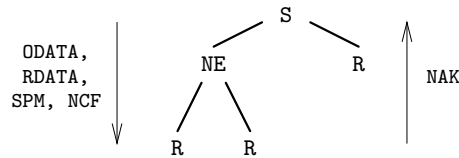


Fig. 1. Distribution tree of the PGM with packets involved (S = source, NE = network element, R = receiver).

In the normal course of data transfer, a source multicasts sequenced data packets (ODATA) along a path of the distribution tree to the receivers. When a receiver detects missing data packets from the expected sequence, it unicasts repeatedly to the last network element of the path negative acknowledgments (NAKs) containing the sequence number of missing data. Network elements forward NAKs hop-by-hop to the source using the reverse path, and confirm each hop by multicasting a NAK confirmation (NCF) in response to the child from which the NAK was received. Receivers and network elements stop sending NAK at the reception of a corresponding NCF. Finally, the source itself receives and confirms the NAK by multicasting an NCF to the group. If the data missing is still in the memory, repairs (RDATA) may be provided by the source in response to the NAK. To avoid NAK implosion, PGM specifies procedures for NAK elimination within network elements in order to propagate just one copy of a given NAK along the reverse of the distribution path.

The basic data transfer operation is augmented by SPMs (Source Path Messages) packets from a source, periodically interleaved with ODATA. SPMs have two functions. First, they carry routing informations used to maintain up-to-date PGM neighbor information and a fixed distribution tree. Second, they complement the role of data packets when there is no more data to send by holding the state of the sender window. In this way, the receiver may detect data losses and send further NAKs.

In the following, we describe the functions of each component of the protocol.

Source functions. The source executes five functions: multicast of ODATA packets, multicast of SPMs, multicast of NCFs in response to any NAKs received, multicast of RDATA packets, and maintain (update and advance) of the transmit window.

The transmit window plays an important role in the PGM operations. Any information produced by the application using PGM (upper level in the network layers) is put in the transmit window and split in several ODATA chunks, numbered circularly from 0 to $2^{32} - 1$. This data is maintained in the window TXW_SECS time units for further repairs and sent with a maximum transmit rate of TXW_MAX_RTE (bytes/seconds). The left edge of this window, TXW_TRAIL, is defined as the sequence number of the oldest packet available for repairs. The right edge, TXW_LEAD, is defined as the sequence number of the most recent data packet the source has transmitted. To provide information about the sender window, TXW_TRAIL edge is sent with O/RDATA and SPM packets and the TXW_LEAD edge is included only in SPMs. If TXW_TRAIL = TXW_LEAD + 1, the window is considered empty. The maximum size of the window (TXW_SIZE = TXW_LEAD - TXW_TRAIL + 1) should be less than $2^{16} - 1$. The edge TXW_LEAD is advanced when data is produced by the application. The strategy of the source to advance the TXW_TRAIL edge is not fixed in [SFC⁺01].

Two types of SPMs are sent by the source: *ambient* SPMs are sent “at least sufficient” [SFC⁺01] rate to maintain routing information; *heartbeat* SPMs are transmitted in absence of data at a decaying rate, in order to assist detection of lost data before the advance of the transmit window.

Receiver functions. The receiver executes five functions: receive O/RDATA within the transmit window and eliminate duplicates, unicast NAKs repeatedly until it receives a matching NCF if it detects a loss, suppress NAKs sending after the reception of the NCF, maintain a local receive window.

The receive window is determined entirely by the packets from the source, since it evolves according to the information received from the source (data packets and SPMs). For each session, the receiver maintains the buffer and the two edges of the window: RXW_TRAIL is the sequence number of the oldest data packet available for repair from the source (known from data and SPMs) and RXW_LEAD is the greatest sequence number of any received data packet within the transmit window.

Network element functions. Network element forwards ODATA without intervention. They play an important role in routing, NAKs reliability, and avoiding NAKs implosion. Indeed, they forward only the first copy of a NAK and discard NAKs for which they have repair data. They also forward RDATA only to the child which signaled by a NAKs the loss of the corresponding data.

3 Modeling PGM

It is easy to see that modeling the full PGM protocol is out of the scope of existing model-checking tools, because we need to handle dynamic topology with

a lot of processes, dynamic routing, tens of counters and clocks per process, sequence numbers up to $2^{32} - 1$, etc.

In order to be able to look at the full reliability property, the first step consists of obtaining a “good” model. This model should be simple enough to be checked by the existing model-checking tools, but it has also to be realistic and to preserve the interesting behaviours for this property. To obtain such a model, we first analyze each dimension of complexity of PGM. For each dimension, we identify the abstractions that can be done and we specify those chosen for our model. This is the first step of our methodology.

3.1 Dimensions of complexity

First dimension considered is the *topology*. The general topology is a dynamic graph, but we argue that we can focus our attention on static topologies.

Indeed, we can abstract the dynamic graph of a session by a maximal static graph where all the nodes belonging to the group at a moment in the session are present. When a node joins the group at a moment t during a session, it behaves like a node which loses all the data sent between the beginning of the session and t . When a node leaves the group, it can be abstracted into a node which receives all the data in time, i.e., it is silent w.r.t. reliability of data transfer. In this case, we may ignore all of the mechanisms proposed for joining/leaving for nodes and for sending routing (distribution path) information.

Moreover, the static distribution tree of a session may be abstracted into a linear topology. Indeed, if we consider that the loss rate does not depend on the number of receivers, adding more receivers to the tree does not change the advance of the transmit window. The loss of one data packet by several receivers may be abstracted by the loss detected in one receiver. More formal arguments in this direction are given in [EM02]. In conclusion, in order to study the full reliability property, we may consider linear topology with one source, one intermediate node, and one receiver, like in Figure 2.

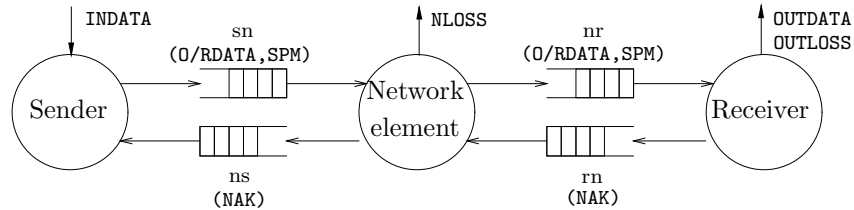


Fig. 2. Abstract model considered for topology and communication medium.

Second dimension considered is the *policy of loss* for packets. In the general case, any number of any kind of packets could be loss. We can reduce the huge non determinism of such behaviour by noting that NAK, NCF, and SPM packets

are small packets (they include one or two sequence numbers), for which the probability of loss using an IP network is small. Moreover, the loss of NAK and NCF packets is dealt by special mechanisms executed locally (for each link). Then, we may consider that the transmission of control packets is reliable. For data packets, we consider that at most `MAX_NB_LOSS` ODATA packets are lost, where `MAX_NB_LOSS` is a parameter of the model. The transmission of RDATA packets is abstracted to be reliable, as proposed in [SFC⁺01].

The third dimension considered is the *communication network*. Since PGM is designed to work on IP, the model for communication is unbounded, unordered, unreliable channels with no maximal transmission delay. However, the protocol uses SPMs to carry routing informations in order to maintain a fixed distribution tree between sender and receivers. This allows us to abstract communication media to FIFO queues. The real-time feature of the protocol and the small sizes of PGM packets suggest us to put bounds on the size and the delays of communication channels. In conclusion, our communication media are reliable FIFO queues with bounded sizes and fixed delays of transmission (see Figure 2). Such a communication primitive is present in our modeling language, IF [BFG⁺00]. Losses of packets are simulated within the network element.

The next dimension concerns the *length of information to be transmitted* during the session w.r.t. the size of the transmit window. To cover most of the mechanisms of the protocol, this length should be greater than two transmit windows, and a transmit window should contain at least three data packets. This abstraction is implicitly used in [BBP02] since they consider that the maximal number of ODATA packets sent is ten. In our model, this length is a parameter, called `MAX_NB_DATA`.

Another dimension is the *shape of the traffic* from the application. In [SFC⁺01] is suggested that the source should implement a scheme for the traffic management and it should also bound the maximum rate of transmission. Moreover, a local absence of data should also be managed by sending heartbeat SPMs. A simple abstraction that avoids the heartbeat mechanisms (i.e., additional packets) and reduces the traffic shape is to consider a fixed rate of information generation. This rate is given by a parameter, `DATA_PERIOD`, specifying the time units between the generation of two data packets. The application sends the data at this rate until the end of the transmission. When this end is reached, the source signals it by a “closing SPM” [Boy02] packet containing the status of the window, which signals the absence of data and replaces the heartbeat mechanism.

The protocol also provides a lot of *mechanisms to ensure efficiency* of transmission. These mechanisms (e.g., filtering of NAKs in network elements, back-off timeouts for NAKs, filtering of RDATA) are not relevant to the reliability property that we aim to test.

Other mechanisms are introduced in order to obtain some properties for the transmission, mainly the reliability of the NAKs and NCFs. We abstract these mechanisms and consider that there are no loss of NAKs, so no need for NCFs.

The last dimension of complexity concern the *management of the transmit window*. In [SFC⁺01], no policy is fixed for the advance of the window and the sending of the ambient SPMs. In our model, we consider that the sender tries to keep in the window the maximum number of data packets in such a way that it can receive any time data from application, i.e. TXW_SIZE packets are always kept. When the application finishes the transmission, the packets are dropped out from the window each DATA_PERIOD time units. Concerning the sending of ambient SPMs, we choose to send an ambient SPM for every DATA_PER_SPM data packets generated by the application, with DATA_PER_SPM a parameter of the protocol.

3.2 Abstract model considered

The second step consists of applying the abstractions described above in order to obtain a formal model of the PGM protocol. The models obtained for the PGM source, receiver, and network element are given respectively on Figures 3, 5, and 4. We explain in this section the resulting model.

We use IF [BFG⁺00], which underlying model is a network of finite state, timed automata communicating by channels of different policies, rendez-vous, and shared variables. The finite types that can be used are boolean, bounded integer, user defined enumerated type, record and finite array of finite types. In IF, states can be decorated with invariants for time elapsing. By default, the invariant is true. Unstable states are states where the time cannot pass (represented by a vertex with an U inside). Transitions are guarded by boolean expressions on finite variables, zones on clocks, and inputs from communication channels (notation $c?s(x,y)$ for input from channel c of the signal s with data assigned to variables x and y). A special guard is the eager guard (represented by a transition with a black point at the source vertex) which means that the transition must be taken as soon as possible w.r.t. the synchronization with other transitions. If the guard is true, some actions can be executed before the control goes in the target state. The actions belong to reset clocks, assignment of finite variables, and output of messages on channels (notation $c!s(x,y)$ for output on channel c of the signal s with data x and y). In order to obtain easy to read automata, the automaton of each component is split in several parts, each part has like source a shared state and implements a specific function (see Section 2) of the component.

The source inputs data from the upper level (increments TXW_LEAD) each DATA_PERIOD time units until the limit of MAX_NB_DATA is reached (Figure 3, Part (a)). Interleaved with this activity, the source sends ODATA packets in the transmit window as soon as (eager transition) the data is available. For every² DATA_PER_SPM data packets generated by the application, the source sends an ambient SPM. When the MAX_NB_DATA limit is reached and all the data have been

² Although the guard for this transition is $c \geq \text{DATA_PER_SPM}$, the transition is eager, so it will be taken immediately when the value DATA_PER_SPM is reached.

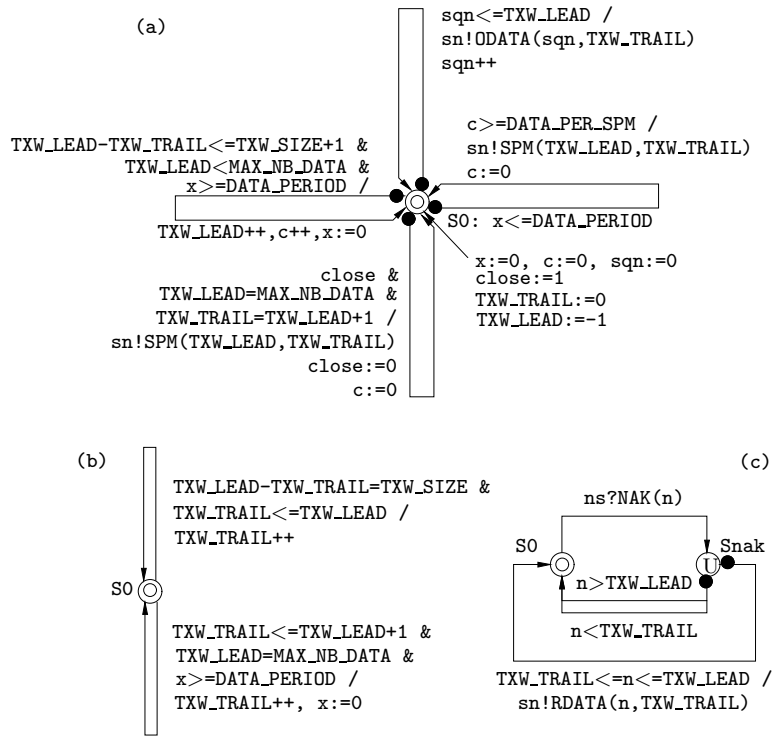


Fig. 3. Model for the PGM source: (a) sending ODATA and SPM, (b) window advance, (c) dealing with NAK and RDATA.

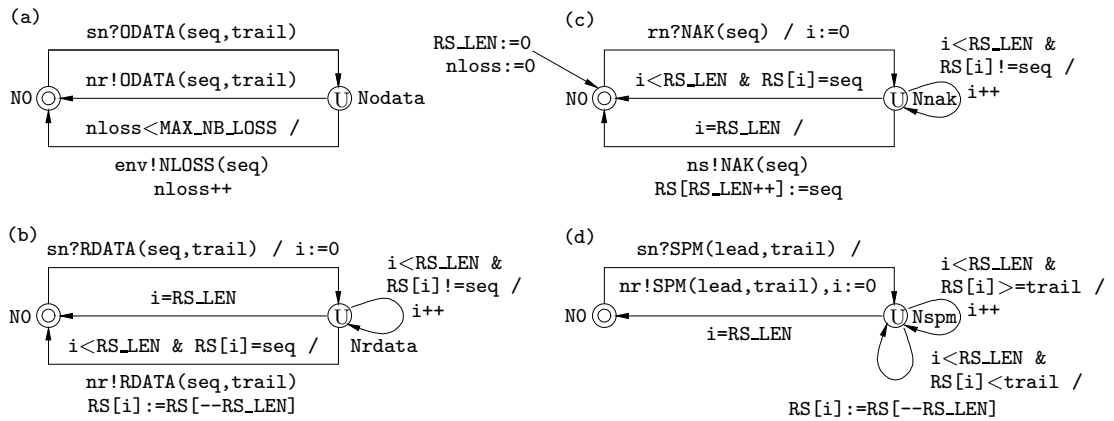


Fig. 4. Model for the PGM network element: (a) dealing ODATA, (b) dealing RDATA, (c) dealing NAKs, (d) dealing SPMs.

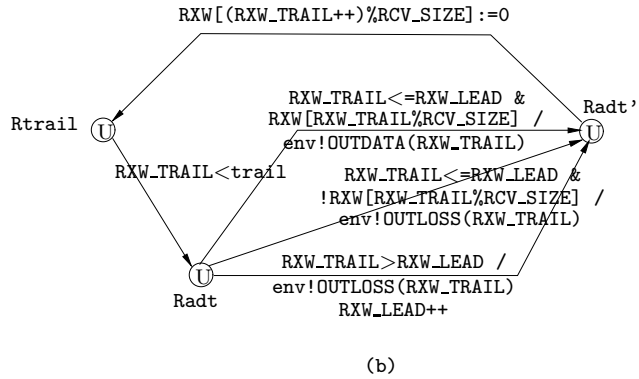
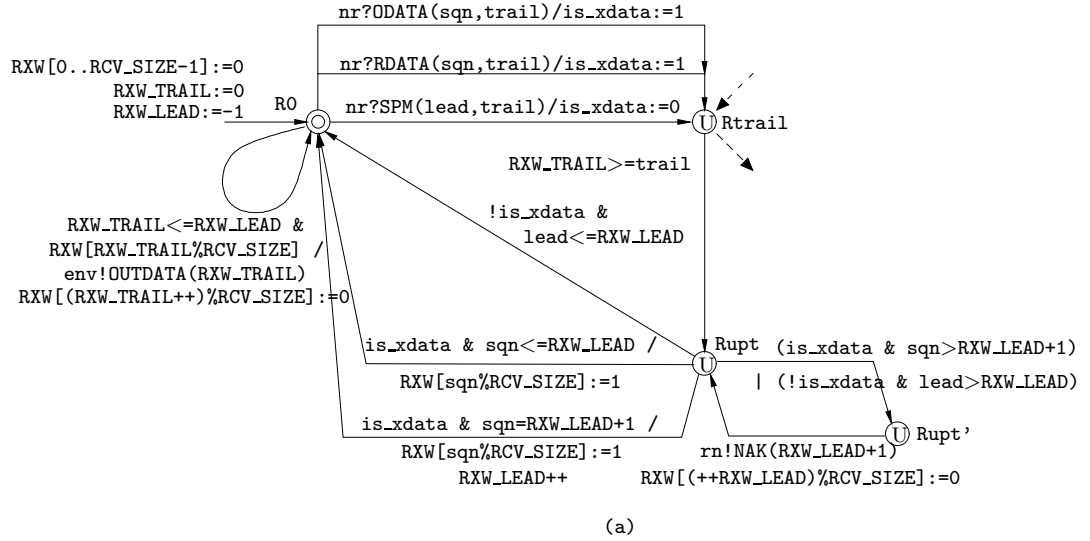


Fig. 5. Model for the PGM receiver: (a) main loop, (b) updating trail.

sent, a closing SPM packet is sent to inform the receiver about the absence of recovery. This solution has been proposed in [Boy02] to be able to give a correct status about the data packets sent in the last transmit window in absence of heartbeat SPMs. Part (b) specifies the policy of window advance. Part (c) specifies the treatment of NAK.

The network element forwards ODATA packets (Figure 4, part (a)) or non deterministically losses data (signaled to the environment by the NLOSS signal). The sequence numbers of data to be recovered are stored in a vector RS of maximal size RS_SIZE and of current size RS_LEN. This vector is updated at the arrival of RDATA, NAK, and SPM packets (parts (b), (c), and (d) respectively). It is used to avoid duplication of NAKs.

The receiver waits for any kind of packets (ODATA, RDATA, and SPM) and updates the receive window implemented by the array RXW (of maximal size RXW_SIZE). This array is used as a circular buffer (sequence numbers taken modulo the size of the array) and it stores booleans saying if the corresponding data packet has been received or not. Initially, all the entries are false. Based on RXW array, when the transmit window advance (the trail received is greater than RXW_TRAIL), the receiver sends either OUTDATA signal to the environment or it signals a loss (OUTLOSS signal).

The parameters of the model are summarized in Table 1. For each parameter we give either a value, if it has been fixed during experiments, or an interval of values otherwise. We discuss the choice of these value in Section 6.

Table 1. Summary of parameters.

SIZE PARAMETERS		
TXW_SIZE	Transmit window size	1–6
MAX_NB_LOSS	Max. number of lost data at some point	0–5
MAX_NB_DATA	Max. number of data the source can send	3–18
DATA_PER_SPM	Nb. of data generated between two ambient SPM	1-3, ∞
RS_SIZE	Max. size of RS array	MAX_NB_LOSS
RXW_SIZE	Max. size of receiver window	TXW_SIZE
SN_SIZE, NS_SIZE	Max. size of sender-network element buffers	12, 4
NR_SIZE, RN_SIZE	Max. size of network element-receiver buffers	12, 4
TIME PARAMETERS		
DATA_PERIOD	Period of data sending TXW_MAX_RTE = $1/\text{DATA_PERIOD}$, TXW_SECS = $(\text{TXW_SIZE} - 1) \times \text{DATA_PERIOD}$	2–10,15
SN_DELAY, NS_DELAY	Max. delay for sender-network element buffers	2, 2
NR_DELAY, RN_DELAY	Max. delay for network element-receiver buffers	2, 2

4 Constraint for recovering all losses

In the third step of our methodology, we analyze the sequence of events needed to obtain the target property. In our case, the sequence allowing to recover a loss ensures the full reliability. It involves four steps:

1. one or more **ODATA** packets are lost (by the node, in our model);
2. the receiver receives a packet (**ODATA**, **RDATA**, or **SPM**) signaling that a previous data packets have been lost;
3. the **NAK** signaling the loss is received by the source before the corresponding data have been dropped from the transmit window;
4. the corresponding **RDATA** is sent and received.

These steps concern the following aspects of our model:

- the loss policy: in our model only **MAX_NB_LOSS** **ODATA** packets can be lost;
- the transit delay of packets (i.e., round trip time, **RTT**): is computed from the delays of communication buffers, $\text{RTT} = \text{SN_DELAY} + \text{NR_DELAY} + \text{RN_DELAY} + \text{NS_DELAY}$;
- the production rate of **ODATA**: given by **DATA_PERIOD**;
- the rate of ambient **SPM**: given by **DATA_PER_SPM** and **DATA_PERIOD**;
- the transmit window policy: fixed to maintain as long as possible data in the transmit window.

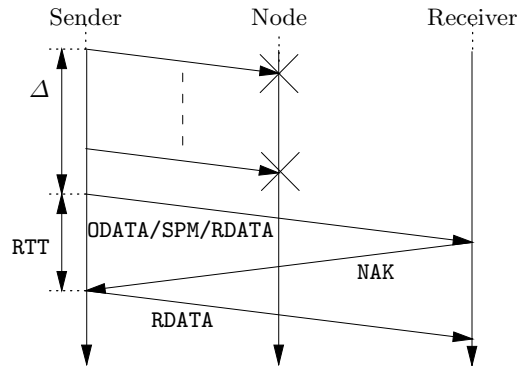


Fig. 6. Pattern of loss recovering.

Let Δ be the delay between the instant the first lost **ODATA** packet is sent and the instant that the first unlost packet is sent. The delay between the sending of the unlost packet and the reception of the matching **NAK** is the **RTT**, if we assume that a **NAK** is sent as soon as a loss is detected (it is the case in our model, but in a more realistic one, we should add a random back-off).

Then, the lost packets are recovered if $\Delta + \text{RTT}$ is less than³ the lifetime of the data in the transmit window, i.e. $\text{DATA_PERIOD} \times \text{TXW_SIZE}$ in our model.

The value of Δ depends on the kind of the first non-lost packet: `ODATA`, `RDATA`, or `SPM`, i.e., $\Delta = \min(\Delta_{\text{ODATA}}, \Delta_{\text{RDATA}}, \Delta_{\text{SPM}})$. We cannot give an upper bound of Δ_{RDATA} . Indeed, it could be ∞ if no packet has been lost before. For Δ_{ODATA} , if we consider that no more than `MAX_NB_LOSS` packets are lost, its maximum value is $\text{MAX_NB_LOSS} \times \text{DATA_PERIOD}$. This value is false for the last `MAX_NB_LOSS` packets since they can all be lost and not followed by any `ODATA`. For Δ_{SPM} , the upper bound is $(\text{DATA_PER_SPM} - 1) \times \text{DATA_PERIOD}$ (the -1 comes from the fact that the `SPM` is sent at the same time that the last `ODATA` of the `DATA_PER_SPM` set).

Then, we obtain the following property:

Property 1. If a data packet m does not belong to the last `MAX_NB_LOSS` packets, then m is always recovered if:

$$\text{TXW_SIZE} - \min(\text{MAX_NB_LOSS}, \text{DATA_PER_SPM} - 1) > \frac{\text{RTT}}{\text{DATA_PERIOD}} \quad (1)$$

5 Verification methodology and tools

The last step of our methodology is the verification of the constraint obtained using finite timed model-checking. It consists of the following actions:

1. We assign to parameters given in Table 1 relevant, concrete values (see Section 6).
2. Using these values, the parameterized model corresponding to the automata given on figures 3–5 is translated (by substitution) into a concrete model.
3. The concrete model is translated into a labeled transition system (LTS).
4. In order to check the model obtained, some basic, unparameterized properties like absence of deadlock, absence of overflows, etc. are checked on the LTS.
5. The parameterized property to be checked is also translated into a set of concrete properties, one property per sequence numbers from 0 to `MAX_NB_DATA` (which is a parameter).
6. The concrete properties are checked on the LTS.

In order to instantiate parameterized implementation and properties to concrete ones, we use shell scripts calling `SED` commands. The translation from the IF concrete implementation into the LTS is done using the `GENERATOR` tool of the IF toolbox. The LTS model is generated into the BCG [FGK⁺96] format. The temporal logic properties have been written using the regular alternation-free μ -calculus [Koz83,EL86] and checked using the `EVALUATOR` tool [MS00] of the CADP [FGK⁺96] toolbox. The tools used provide good performances: the time

³ The inequality is strict because of the possible interleaving of actions dropping the data from the window and sending `RDATA`.

and memory spent for generating and checking the models are reasonable for the values of parameters reported here⁴. For example, the full series of experiments (\approx three hundred cases) take 4 hours on a PC at 1GHz and 1Go of RAM.

6 Experiments

6.1 Choosing relevant values for parameters

In searching relevant values for parameters, we follow three criteria:

C1: Cover all cases for both satisfaction values of Equation 1. This leads to a case analysis of Equation 1. When it is false, we may have two cases:

$$\mathbf{C1.1:} \text{TXW_SIZE} - \min(\text{MAX_NB_LOSS}, \text{DATA_PER_SPM} - 1) \leq 0$$

$$\mathbf{C1.2:} 0 < \text{TXW_SIZE} - \min(\text{MAX_NB_LOSS}, \text{DATA_PER_SPM} - 1) \leq \text{RTT}/\text{DATA_PERIOD}$$

which implies $\text{RTT} > \text{DATA_PERIOD}$

When Equation 1 is true, we may have also two cases:

$$\mathbf{C1.3:} \text{TXW_SIZE} - \min(\text{MAX_NB_LOSS}, \text{DATA_PER_SPM} - 1) > \text{RTT}/\text{DATA_PERIOD} \geq 1$$

$$\mathbf{C1.4:} \text{TXW_SIZE} - \min(\text{MAX_NB_LOSS}, \text{DATA_PER_SPM} - 1) \geq 1 > \text{RTT}/\text{DATA_PERIOD}$$

C2: Choose values preserving the ratio between the real life values of parameters. This criterion reduces the number of experiments selected with criterion **C1**. Indeed, we observe the following relation between the parameters:

C2.1: The maximal number of losses MAX_NB_LOSS could be viewed like a fraction $1/p$ of the maximal number of data sent MAX_NB_DATA . Then, MAX_NB_DATA may be considered like a multiple n of the transmit window size, TXW_SIZE . If we suppose that the network has a low rate of losses (e.g., $p = 20$), the value of n/p may vary, for example, between 0.05 when the number of data is small (e.g., $n = 1$) and 100 when the number of data is great ($n \approx 10^3$).

C2.2: The rate DATA_PER_SPM may belong to two classes of values. If DATA_PER_SPM is greater than MAX_NB_LOSS , it can be approximated to ∞ since the recover will not be done with SPMs packets. The second class of values is defined by the ratio between TXW_SIZE and DATA_PER_SPM . A great ration (a lot of SPMs sent by transmit window) implies an overload of the network but ensures quick data recovery. Then, we have to test values greater and less than 1 for this ration.

C2.2: In real life, the RTT may vary considerably depending on the physical network. If the network is real-time oriented, the values taken by RTT may vary between 400ms to 40ms (ATM networks). For DATA_PERIOD , the value given as example in [SFC⁺01] is ≈ 60 ms. So, the interesting cases will concern values of $\text{RTT}/\text{DATA_PERIOD} \geq 1$ or closer to 1 (video applications usually run faster than the network).

C3: Choose values allowing to generate the LTSs. For example, we abstract the real values of TXW_SIZE to values between 1–5. We do the same with RTT and DATA_PERIOD values.

⁴ However, for values outside the set taken here, we obtain in some cases state explosion.

6.2 Properties checked

On the LTS generated from the model we checked properties like deadlock freedom, absence of overflows for FIFOs, and a lost data packet is either signaled as lost or recovered. We used these properties only to check the correctness of our abstract model.

The temporal logic formulae ϕ used to prove Property 1 is: “ODATA packet number $_SQN_$ is sometimes signaled as lost”. In the regular free μ -calculus, this formula is:

```
<true*.'.*sn_in,ODATA,{_SQN_},.*'.true*.'.*OUTLOSS,{_SQN_}.*'> true
```

which means that it is possible to have a sequence of transitions having an input of ODATA with number $_SQN_$ on queue sn (sub-string $sn_in,ODATA,\{_SQN_ \}$) and then this packet is signaled as lost (sub-string $OUTLOSS,\{_SQN_ \}$). The property is parameterized by the $_SQN_$ number which belongs to $0..MAX_NB_DATA$.

If the result of model-checking ϕ is false, then the packet is never signaled as lost (i.e. it is either no lost or always recovered).

6.3 Results and discussion

The results for a part of experiments done are presented on Tables 2–4. The experiments are looking to the truth value of checking ϕ while varying each parameter involved in the Equation 1. We report value $b \in \{t, f\}$ in the columns corresponding to a given sequence number if the result of checking ϕ for this sequence number is $\neg b$. The results in italic correspond to (unrelevant) cases when the sequence number does not satisfy the hypothesis of Property 1 or Equation 1 is not satisfied (see the last column of tables).

The tables 2 and 3 report about the recover of losses based on Δ_{ODATA} (assuming $\Delta_{SPM} = \infty$). Table 4 reports about the impact of ambient SPMs. In all these tables we limit our report to experiments with an RTT value fixed to 8. Instead, we vary the value of $DATA_PERIOD$ in order to cover all the cases defined at the beginning of this section. The last paragraph below reports on the consequences of varying the RTT value.

Recovery based on ODATA This case corresponds to $DATA_PER_SPM > MAX_NB_LOSS$. The eight series of experiments done vary the three remaining parameters (MAX_NB_LOSS , TXW_SIZE , and $DATA_PERIOD$). Note that in all configurations tested in Tables 2 and 3, the MAX_NB_LOSS last packets may be definitively lost. So, the hypothesis of Property 1 is checked to be important. Another interesting result is the check of the necessity of Equation 1 since when it is false, all the packets (with numbers satisfying or not the hypothesis of Property 1) can be lost.

Recovery based on SPM To test this case, we consider only configurations where $DATA_PER_SPM < MAX_NB_LOSS$, except the first line of Table 4 which is used to show the difference between the recovering based on ODATA and on SPM. Indeed,

Table 3. Effect of the number of losses MAX_NB_LOSS and of the window size TXW_SIZE on the loss recovery.

MAX_NB_LOSS	MAX_NB_DATA	DATA_PER_SPM	TXW_SIZE	RTT	DATA_PERIOD	LTS		Msg. always delivered									Eq. 1
						States	Trans.	0	1	2	3	4	5	6	7	8	
Varying the window size, TXW_SIZE																	
1	9	∞	4	8	9	2376	2521	t	t	t	t	t	t	t	t	f	3 > 0.89
1	9	∞	3	8	9	2366	2515	t	t	t	t	t	t	t	t	f	2 > 0.89
1	9	∞	2	8	9	2353	2505	t	t	t	t	t	t	t	t	f	1 > 0.89
1	9	∞	1	8	9	2098	2225	f	f	f	f	f	f	f	f	f	0 > 0.89
Varying the window size and faster source, i.e. less DATA_PERIOD																	
1	9	∞	4	8	8	6088	7203	t	t	t	t	t	t	t	t	f	3 > 1
1	9	∞	3	8	8	6440	7641	t	t	t	t	t	t	t	t	f	2 > 1
1	9	∞	2	8	8	6390	7601	f	f	f	f	f	f	f	f	f	1 > 1
1	9	∞	1	8	8	4053	4929	f	f	f	f	f	f	f	f	f	0 > 1
Varying the window size and more losses																	
2	9	∞	5	8	9	11915	13566	t	t	t	t	t	t	t	f	f	3 > 0.89
2	9	∞	4	8	9	11878	13540	t	t	t	t	t	t	t	f	f	2 > 0.89
2	9	∞	3	8	9	11829	13498	t	t	t	t	t	t	t	f	f	1 > 0.89
2	9	∞	2	8	9	10597	11934	f	f	f	f	f	f	f	f	f	0 > 0.89
2	9	∞	1	8	9	7992	8536	f	f	f	f	f	f	f	f	f	-1 > 0.89
Varying the number of losses																	
0	9	∞	5	8	9	248	253	t	t	t	t	t	t	t	t	t	5 > 0.89
1	9	∞	5	8	9	2383	2523	t	t	t	t	t	t	t	t	f	4 > 0.89
2	9	∞	5	8	9	11915	13566	t	t	t	t	t	t	t	f	f	3 > 0.89
3	9	∞	5	8	9	46368	55966	t	t	t	t	t	t	t	f	f	2 > 0.89
4	9	∞	5	8	9	136148	170412	t	t	t	t	t	f	f	f	f	1 > 0.89
5	9	∞	5	8	9	307266	391888	f	f	f	f	f	f	f	f	f	0 > 0.89

Table 4. Effect of the ambient rate DATA_PER_SPM on the loss recovery.

MAX_NB_LOSS	MAX_NB_DATA	DATA_PER_SPM	TXW_SIZE	RTT	DATA_PERIOD	LTS		Msg. always delivered									Eq. 1
						States	Trans.	0	1	2	3	4	5	6	7	8	
Varying the rate of ambient SPM, DATA_PER_SPM																	
3	9	∞	3	8	6	186456	248566	f	f	f	f	f	f	f	f	f	0 > 1.3
3	9	4	3	8	6	610863	820882	f	f	t	t	f	f	t	t	f	0 > 1.3
3	9	3	3	8	6	483265	643931	f	t	t	f	t	t	f	t	t	1 > 1.3
3	9	2	3	8	6	283761	375570	t	t	t	t	t	t	t	t	t	2 > 1.3
3	9	1	3	8	6	702196	938857	t	t	t	t	t	t	t	t	t	3 > 1.3
Varying the production rate, DATA_PERIOD																	
3	9	3	3	8	10	138383	178656	t	t	t	t	t	t	t	t	f	1 > 0.8
3	9	3	3	8	9	76004	89939	t	t	t	t	t	t	t	t	f	1 > 0.89
3	9	3	3	8	8	683325	911658	f	t	t	f	t	t	f	t	f	1 > 1
3	9	3	3	8	7	75111	87847	f	t	t	f	t	t	f	t	f	1 > 1.1
3	9	3	3	8	6	483265	643931	f	t	t	f	t	t	f	t	f	1 > 1.3
3	9	3	3	8	5	115770	142441	f	t	t	f	t	t	f	t	f	1 > 1.6

in the configuration corresponding to the first line, all packets are lost, but in the next configurations, all packets satisfying the hypothesis are recovered. An interesting point is that, even if the Equation 1 is not satisfied, some packets are always recovered (two per `DATA_PER_SPM` period). In fact, some packets sent before an `SPM` can always be recovered because the sum $\Delta_{\text{SPM}} + \text{RTT}$ is small enough to recover before the window advance.

In both cases, when `DATA_PERIOD` is increased, the number of packets lost increases.

Considerations on sizes of LTSs In some series of experiments, the size of the state space increases globally, but not locally. It is particularly visible on the second, third, and fourth series of Table 2. This global increase seems “normal”: there are more packets in the system when `DATA_PERIOD` increases so the system is more “complex”.

Nevertheless, there are some local decreases: in the second series of Table 2, when `DATA_PERIOD` decreases from 10 to 9 or from 8 to 7, etc., and in the second series of Table 4 when `DATA_PERIOD` decreases from 10 to 9 and from 8 to 7. The explanation we found to this phenomenon involves the `RTT` and `DATA_PERIOD`. Indeed, when `RTT` and `DATA_PERIOD` are coprime, there are less events to interleave than when they have a common divisor. So the sizes of LTSs are smaller in the first case than in the second. To check this explanation, we also did the experiments of in Table 2 with different values of `RTT` (more details presented in [Boy02]).

7 Conclusion

The verification and synthesis problems for parameterized system are difficult problems when the parameters are related by non-linear relations. In this paper we propose a methodology using finite and real-time model-checking to deal with the synthesis problem on such systems. Of course, the problem of synthesis is not completely managed. We obtain a relation by carefully modeling and analyzing the protocol.

Such a work gives some ideas about how the existing finite verification tools can be used to deal with parameterized verification. At the present time, the use of UNIX shell scripts seems to be unavoidable because there are no means to easily instantiate parameters in models and properties. It would be useful to have specification languages and verification scripts allowing to specify parameterized models and properties and then to instantiate these specifications with actual values in a functional style.

Another contribution is design of a (static but almost complete) formal model for the PGM protocol and the synthesis of the constraint between its parameters. The modeling process allows us to signal some lacks in the reference specification.

Finally, by doing the present work, we won the experience for obtaining simpler models for PGM such that they can be managed by the existing tools for infinite state systems. Indeed, the abstract model considered here is too complex for tools doing parameterized model-checking, e.g. TREX [BCAS01]. The

sources of complexity are the great number of infinite domain variables (since finite integer variables are now considered as counters), and the non-linear relation between integer parameters. First experiments with TREX lead to memory explosion due to the size of symbolic representation used for parameterized configurations for clocks and counters. By looking at these representations, we obtain some hints about how to reduce their size. For example, the use of live analysis for counter variables may be useful due to the lack of communication by shared variables.

References

- [AAB00] A. Annichini, E. Asarin, and A. Bouajjani. Symbolic techniques for parametric reasoning about counter and clock systems. In E.A. Emerson and A.P. Sistla, editors, *Proceedings of the 12th CAV*, volume 1855 of *LNCS*, pages 419–434. Springer Verlag, July 2000.
- [AHV93] R. Alur, T.A. Henzinger, and M.Y. Vardi. Parametric real-time reasoning. In *ACM Symposium on Theory of Computing*, pages 592–601, 1993.
- [BBP02] B. Bérard, P. Bouyer, and A. Petit. Analysing the pgm protocol with uppaal. In P. Pettersson and W. Yi, editors, *Proceedings of the 2nd Workshop RT-TOOLS, Copenhagen (Denmark)*, August 2002.
- [BCALS01] A. Bouajjani, A. Collomb-Annichini, Y. Lackneck, and M. Sighireanu. Analysing fair parametric extended automata analysis. In *Proceedings of SAS'01*, LNCS. Springer Verlag, July 2001.
- [BCAS01] A. Bouajjani, A. Collomb-Annichini, and M. Sighireanu. Trex: A tool for reachability analysis of complex systems. In *Proceedings of CAV'01*, LNCS. Springer Verlag, 2001.
- [BFG⁺00] M. Bozga, J.-C. Fernandez, L. Girvu, S. Graf, J.-P. Krimm, and L. Mounier. If: A validation environment for times asynchronous systems. In E.A. Emerson and A.P. Sistla, editors, *Proceedings of the 12th CAV*, volume 1855 of *LNCS*, pages 543–547. Springer Verlag, July 2000.
- [BL02] B. Boigelot and L. Latour. *ADVANCE Project Deliverable Report*, chapter Verifying PGM with infinitely many packets. LIAFA, 2002.
- [Boi98] B. Boigelot. *Symbolic Methods for Exploring Infinite State Spaces*. PhD thesis, University of Liège, 1998.
- [Boy02] M. Boyer. On modeling and verifying the pgm protocol. Technical report, LIAFA, 2002.
- [Bul98] T. Bultan. *Automated symbolic analysis of reactive systems*. PhD thesis, University of Maryland, 1998.
- [EL86] E. A. Emerson and C-L. Lei. Efficient model checking in fragments of the propositional mu-calculus. In *Proceedings of the 1st LICS*, pages 267–278, 1986.
- [EM02] J. Esparza and M. Maidl. *ADVANCE Project Deliverable Report*, chapter Verifying PGM with infinitely many topologies. LIAFA, 2002.
- [FGK⁺96] J.-C. Fernandez, H. Garavel, A. Kerbrat, R. Mateescu, L. Mounier, and M. Sighireanu. Cadp (cæsar/aldebaran development package): A protocol validation and verification toolbox. In R. Alur and T.A. Henzinger, editors, *Proceedings of the 8th CAV*, volume 1102 of *LNCS*, pages 437–440. Springer Verlag, August 1996.

- [HRSV01] T. Hune, J. Romijn, M. Stoelinga, and F. Vaandrager. Linear parametric model checking of timed automata. In *Proceedings of TACAS'01*, 2001.
- [Koz83] D. Kozen. Results on the propositional μ -calculus. *Theoretical Computer Science*, 27:333–354, 1983.
- [MS00] R. Mateescu and M. Sighireanu. Efficient on-the-fly model-checking for regular alternation-free mu-calculus. In *Proceedings of the 5th International Workshop on Formal Methods for Industrial Critical Systems FMICS'2000 (Berlin, Germany)*, April 2000.
- [PL00] P. Pettersson and K.G. Larsen. UPPAAL2k. *Bulletin of the European Association for Theoretical Computer Science*, 70:40–44, February 2000.
- [SFC⁺01] Tony Speakman, Dino Farinacci, Jon Crowcroft, Jim Gemmell, Steven Lin, Dan Leshchiner, Michael Luby, Alex Tweedly, Nidhi Bhaskar, Richard Edmonstone, Todd Montgomery, Luigi Rizzo, Rajitha Sumanasekera, and Lorenzo Vicisano. PGM reliable transport protocol specification. RFC 3208, IETF, Decembre 2001. 111 pages.